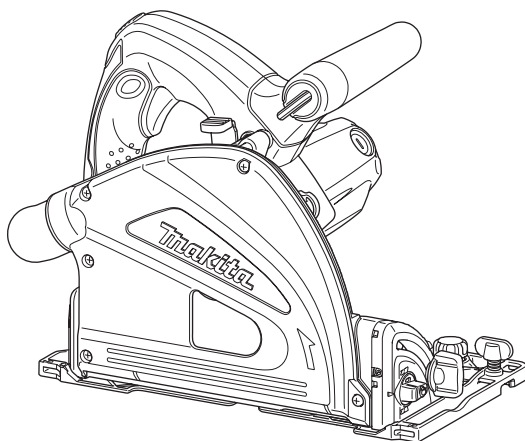




EN	Plunge Cut Circular Saw	INSTRUCTION MANUAL	6
SV	Cirkelsåg för genomstickssågning	BRUKSANVISNING	13
NO	Sirkelsag for innstikk	BRUKSANVISNING	20
FI	Umpinaispyörösaha	KÄYTTÖOHJE	27
DA	Rundsav til indstikssnit	BRUGSANVISNING	34
LV	lezāģējuma ripzāģis	LIETOŠANAS INSTRUKCIJA	41
LT	Gilaus pjūvio diskinis pjūklas	NAUDOJIMO INSTRUKCIJA	48
ET	Sukelduslõikega ringsaag	KASUTUSJUHEND	55
RU	Погружная дисковая пила	РУКОВОДСТВО ПО ЭКСПЛУАТАЦИИ	62

SP6000



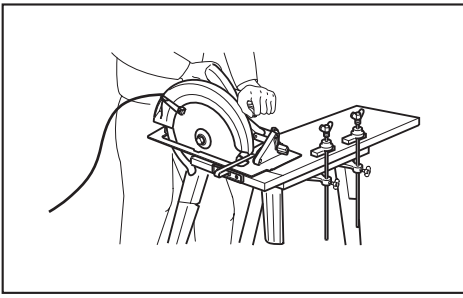


Fig.1

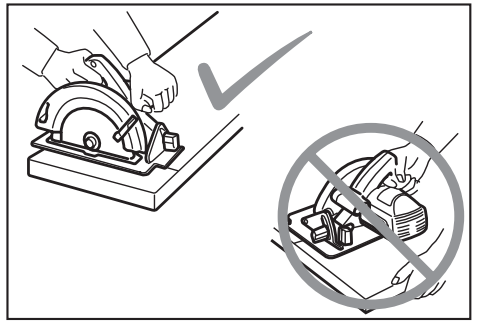


Fig.5

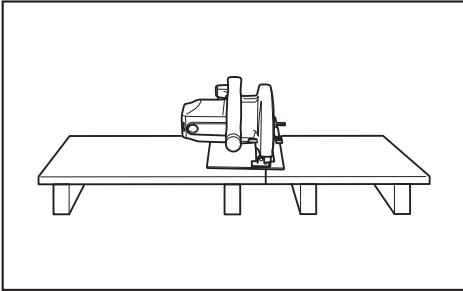


Fig.2

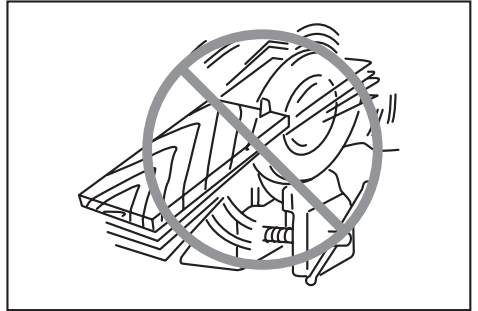


Fig.6

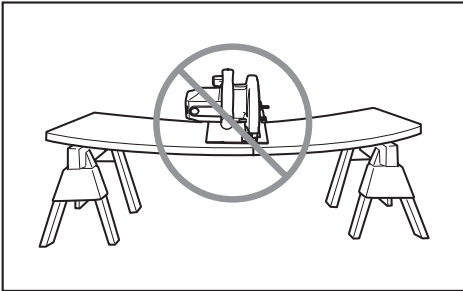


Fig.3

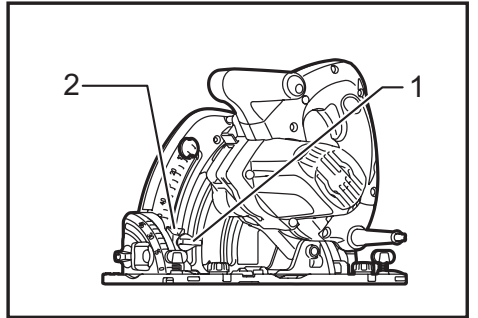


Fig.7

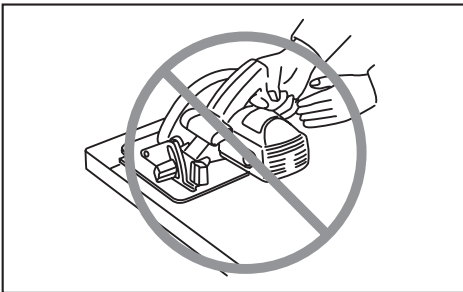


Fig.4

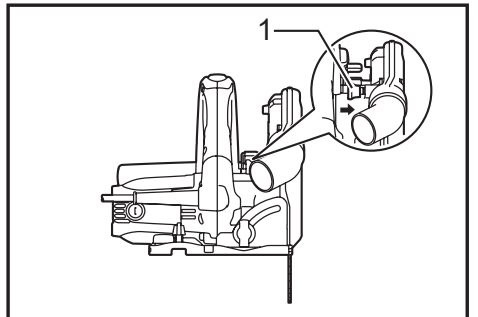


Fig.8

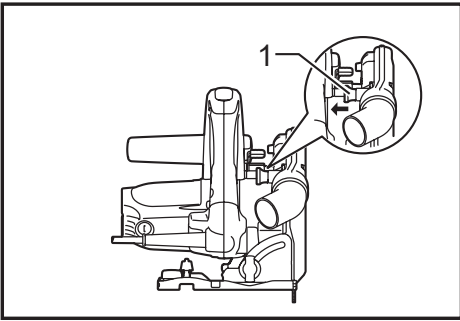


Fig.9

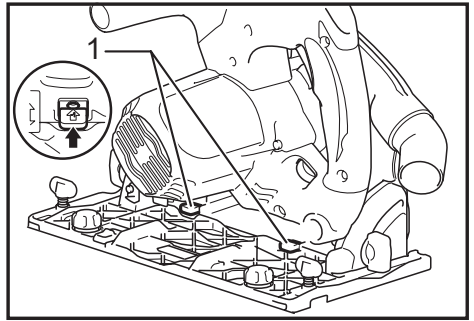


Fig.13

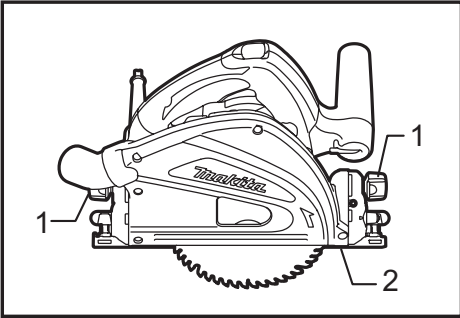


Fig.10

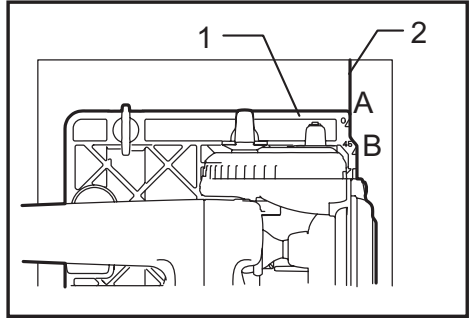


Fig.14

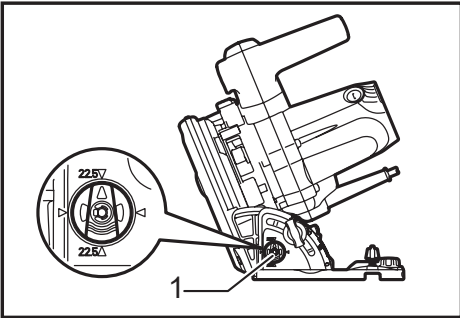


Fig.11

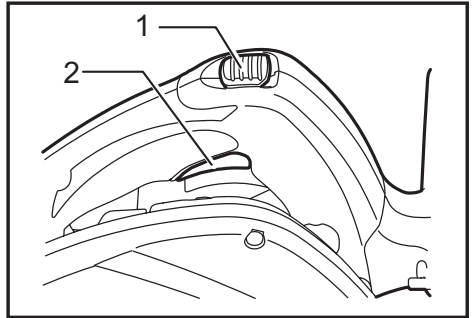


Fig.15

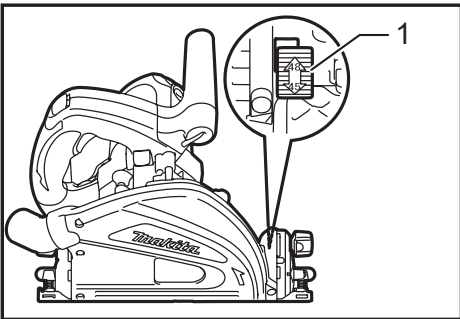


Fig.12

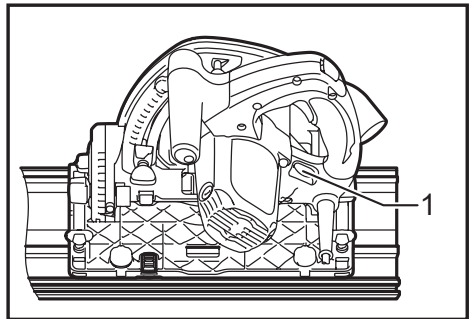


Fig.16

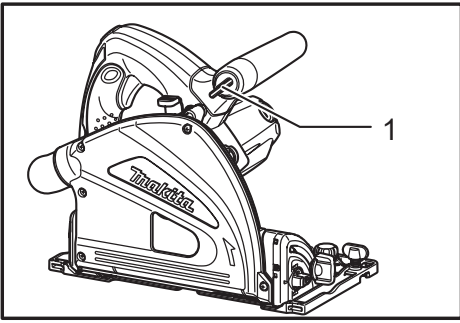


Fig.17

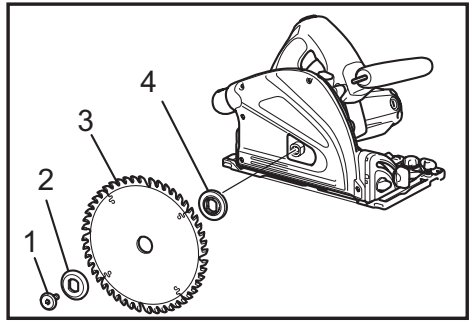


Fig.21

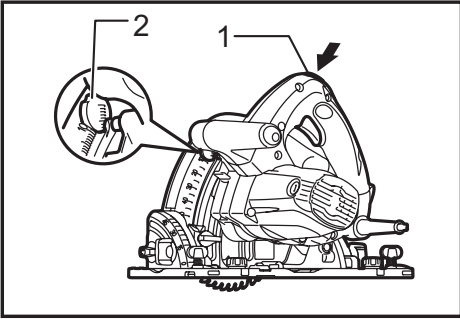


Fig.18

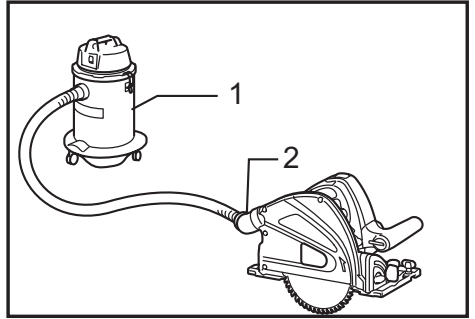


Fig.22

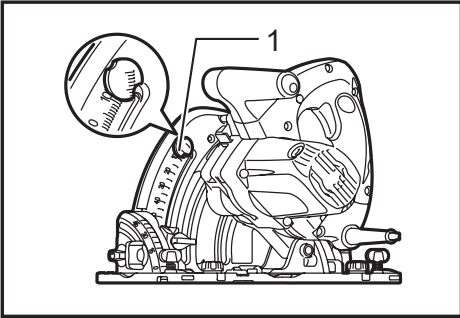


Fig.19

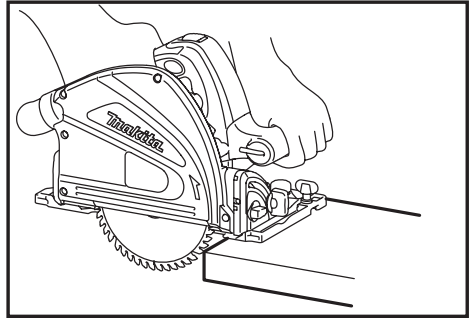


Fig.23

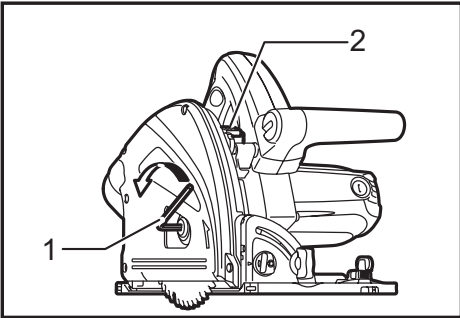


Fig.20

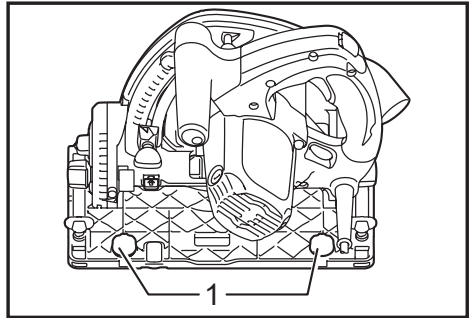


Fig.24

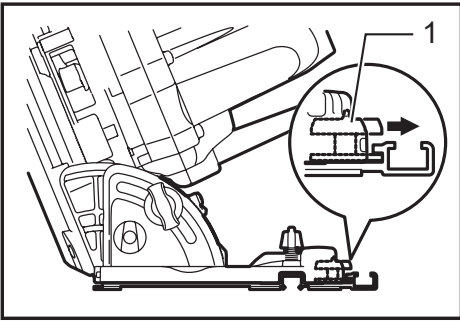


Fig.25

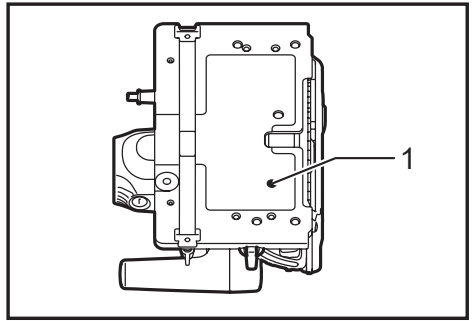


Fig.29

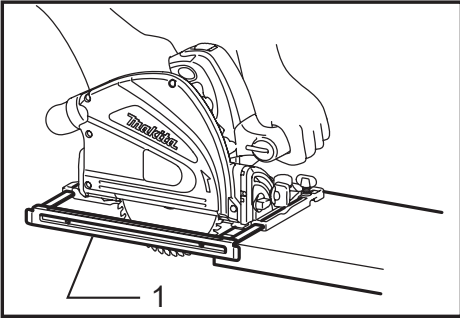


Fig.26

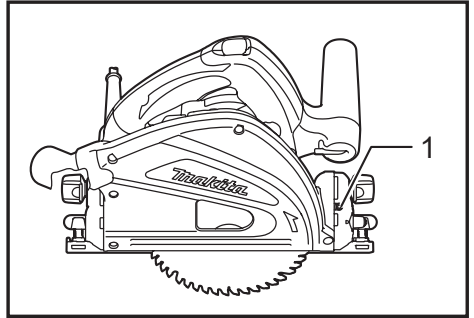


Fig.30

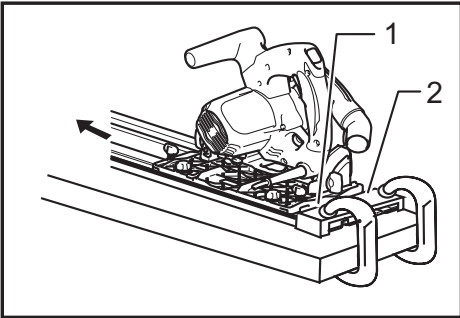


Fig.27

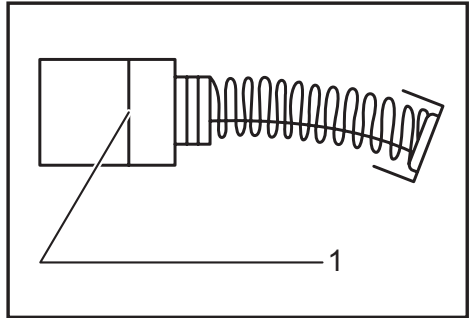


Fig.31

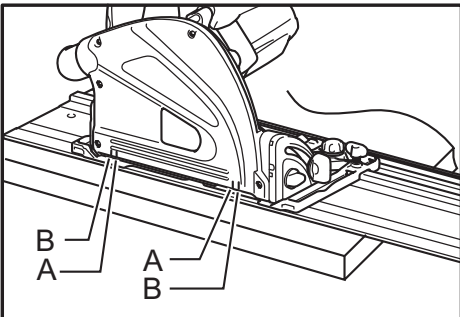


Fig.28

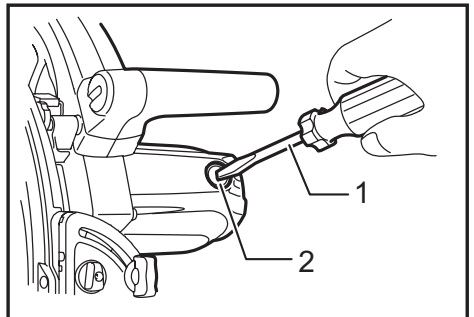


Fig.32

SPECIFICATIONS

Model		SP6000
Blade diameter		165 mm
Max. cutting depth	at 90°	56 mm
	at 45°	40 mm
	at 48°	38 mm
No load speed (min ⁻¹)		2,200 - 6,400
Overall length		341 mm
Net weight		4.1 kg
Safety class		☐/II

- Due to our continuing program of research and development, the specifications herein are subject to change without notice.
- Specifications may differ from country to country.
- The weight may differ depending on the attachment(s). The lightest and heaviest combinations, according to EPTA-Procedure 01/2014, are shown in the table.

Intended use

The tool is specially intended for performing plunge cuts. The tool is also intended for rip and cross cuts in wood. If the tool is equipped with proper circular saw blade, the tool can be used for aluminum board, plastic board, siding board and metal wall panels.

Power supply

The tool should be connected only to a power supply of the same voltage as indicated on the nameplate, and can only be operated on single-phase AC supply. They are double-insulated and can, therefore, also be used from sockets without earth wire.

Noise

The typical A-weighted noise level determined according to EN62841-2-5:

Sound pressure level (L_{pA}): 95 dB (A)

Sound power level (L_{WA}): 103 dB (A)

Uncertainty (K): 3 dB (A)

NOTE: The declared noise emission value(s) has been measured in accordance with a standard test method and may be used for comparing one tool with another.

NOTE: The declared noise emission value(s) may also be used in a preliminary assessment of exposure.

⚠WARNING: Wear ear protection.

⚠WARNING: The noise emission during actual use of the power tool can differ from the declared value(s) depending on the ways in which the tool is used especially what kind of workpiece is processed.

⚠WARNING: Be sure to identify safety measures to protect the operator that are based on an estimation of exposure in the actual conditions of use (taking account of all parts of the operating cycle such as the times when the tool is switched off and when it is running idle in addition to the trigger time).

Vibration

The vibration total value (tri-axial vector sum) determined according to EN62841-2-5:

Work mode : cutting wood

Vibration emission ($a_{h,w}$): 2.5 m/s² or less

Uncertainty (K): 1.5 m/s²

Work mode : cutting metal

Vibration emission ($a_{h,m}$): 2.5 m/s² or less

Uncertainty (K): 1.5 m/s²

NOTE: The declared vibration total value(s) has been measured in accordance with a standard test method and may be used for comparing one tool with another.

NOTE: The declared vibration total value(s) may also be used in a preliminary assessment of exposure.

⚠WARNING: The vibration emission during actual use of the power tool can differ from the declared value(s) depending on the ways in which the tool is used especially what kind of workpiece is processed.

⚠WARNING: Be sure to identify safety measures to protect the operator that are based on an estimation of exposure in the actual conditions of use (taking account of all parts of the operating cycle such as the times when the tool is switched off and when it is running idle in addition to the trigger time).

Declarations of Conformity

For European countries only

The Declarations of conformity are included in Annex A to this instruction manual.

General power tool safety warnings

⚠WARNING Read all safety warnings, instructions, illustrations and specifications provided with this power tool. Failure to follow all instructions listed below may result in electric shock, fire and/or serious injury.

Save all warnings and instructions for future reference.

The term "power tool" in the warnings refers to your mains-operated (corded) power tool or battery-operated (cordless) power tool.

Circular saw safety warnings

Cutting procedures

1. **⚠DANGER:** Keep hands away from cutting area and the blade. Keep your second hand on auxiliary handle, or motor housing. If both hands are holding the saw, they cannot be cut by the blade.
2. **Do not reach underneath the workpiece.** The guard cannot protect you from the blade below the workpiece.
3. **Adjust the cutting depth to the thickness of the workpiece.** Less than a full tooth of the blade teeth should be visible below the workpiece.
4. **Never hold the workpiece in your hands or across your leg while cutting. Secure the workpiece to a stable platform.** It is important to support the work properly to minimise body exposure, blade binding, or loss of control.

► Fig.1

5. **Hold the power tool by insulated gripping surfaces, when performing an operation where the cutting tool may contact hidden wiring or its own cord.** Contact with a "live" wire will also make exposed metal parts of the power tool "live" and could give the operator an electric shock.
6. **When ripping, always use a rip fence or straight edge guide.** This improves the accuracy of cut and reduces the chance of blade binding.
7. **Always use blades with correct size and shape**

(diamond versus round) of arbour holes.

Blades that do not match the mounting hardware of the saw will run off-centre, causing loss of control.

8. **Never use damaged or incorrect blade washers or bolt.** The blade washers and bolt were specially designed for your saw, for optimum performance and safety of operation.

Kickback causes and related warnings

- kickback is a sudden reaction to a pinched, jammed or misaligned saw blade, causing an uncontrolled saw to lift up and out of the workpiece toward the operator;
- when the blade is pinched or jammed tightly by the kerf closing down, the blade stalls and the motor reaction drives the unit rapidly back toward the operator;
- if the blade becomes twisted or misaligned in the cut, the teeth at the back edge of the blade can dig into the top surface of the wood causing the blade to climb out of the kerf and jump back toward the operator.

Kickback is the result of saw misuse and/or incorrect operating procedures or conditions and can be avoided by taking proper precautions as given below.

1. **Maintain a firm grip with both hands on the saw and position your arms to resist kickback forces. Position your body to either side of the blade, but not in line with the blade.** Kickback could cause the saw to jump backwards, but kickback forces can be controlled by the operator, if proper precautions are taken.
2. **When blade is binding, or when interrupting a cut for any reason, release the trigger and hold the saw motionless in the material until the blade comes to a complete stop. Never attempt to remove the saw from the work or pull the saw backward while the blade is in motion or kickback may occur.** Investigate and take corrective actions to eliminate the cause of blade binding.
3. **When restarting a saw in the workpiece, centre the saw blade in the kerf so that the saw teeth are not engaged into the material.** If a saw blade binds, it may walk up or kickback from the workpiece as the saw is restarted.
4. **Support large panels to minimise the risk of blade pinching and kickback.** Large panels tend to sag under their own weight. Supports must be placed under the panel on both sides, near the line of cut and near the edge of the panel.

► Fig.2

► Fig.3

5. **Do not use dull or damaged blades.** Unsharpened or improperly set blades produce narrow kerf causing excessive friction, blade binding and kickback.
6. **Blade depth and bevel adjusting locking levers must be tight and secure before making the cut.** If blade adjustment shifts while cutting, it may cause binding and kickback.
7. **Use extra caution when sawing into existing walls or other blind areas.** The protruding blade may cut objects that can cause kickback.

8. **ALWAYS** hold the tool firmly with both hands. **NEVER** place your hand, leg or any part of your body under the tool base or behind the saw, especially when making cross-cuts. If kickback occurs, the saw could easily jump backwards over your hand, leading to serious personal injury.

► Fig.4

9. **Never force the saw. Push the saw forward at a speed so that the blade cuts without slowing.** Forcing the saw can cause uneven cuts, loss of accuracy, and possible kickback.

Guard function

1. **Check the guard for proper closing before each use. Do not operate the saw if the guard does not move freely and enclose the blade instantly. Never clamp or tie the guard so that the blade is exposed.** If the saw is accidentally dropped, the guard may be bent. Check to make sure that guard moves freely and does not touch the blade or any other part, in all angles and depths of cut.
2. **Check the operation and condition of the guard return spring. If the guard and the spring are not operating properly, they must be serviced before use.** The guard may operate sluggishly due to damaged parts, gummy deposits, or a build-up of debris.
3. **Assure that the base plate of the saw will not shift while performing a “plunge cut”.** Blade shifting sideways will cause binding and likely kick back.
4. **Always observe that the guard is covering the blade before placing the saw down on bench or floor.** An unprotected, coasting blade will cause the saw to walk backwards, cutting whatever is in its path. Be aware of the time it takes for the blade to stop after switch is released.

Additional safety warnings

1. **Use extra caution when cutting damp wood, pressure treated lumber, or wood containing knots.** Maintain smooth advancement of tool without decrease in blade speed to avoid overheating the blade tips and if cutting plastics, to avoid melting the plastic.
2. **Do not attempt to remove cut material when blade is moving. Wait until blade stops before grasping cut material.** Blades coast after turn off.
3. **Avoid cutting nails. Inspect for and remove all nails from lumber before cutting.**
4. **Place the wider portion of the saw base on that part of the workpiece which is solidly supported, not on the section that will fall off when the cut is made. If the workpiece is short or small, clamp it down. DO NOT TRY TO HOLD SHORT PIECES BY HAND!**

► Fig.5

5. **Before setting the tool down after completing a cut, be sure that the guard has closed and the blade has come to a complete stop.**
6. **Never attempt to saw with the circular saw held upside down in a vise. This is extremely dangerous and can lead to serious accidents.**

► Fig.6

7. **Some material contains chemicals which may be toxic. Take caution to prevent dust inhalation and skin contact. Follow material supplier safety data.**
8. **Do not stop the blades by lateral pressure on the saw blade.**
9. **Do not use any abrasive wheels.**
10. **Only use the saw blade with the diameter that is marked on the tool or specified in the manual.** Use of an incorrectly sized blade may affect the proper guarding of the blade or guard operation which could result in serious personal injury.
11. **Keep blade sharp and clean.** Gum and wood pitch hardened on blades slows saw and increases potential for kickback. Keep blade clean by first removing it from tool, then cleaning it with gum and pitch remover, hot water or kerosene. Never use gasoline.
12. **Wear a dust mask and hearing protection when use the tool.**
13. **Always use the saw blade intended for cutting the material that you are going to cut.**
14. **Only use the saw blades that are marked with a speed equal or higher than the speed marked on the tool.**
15. **(For European countries only) Always use the blade which conforms to EN847-1, if intended for wood and analogous materials.**

SAVE THESE INSTRUCTIONS.

⚠WARNING: DO NOT let comfort or familiarity with product (gained from repeated use) replace strict adherence to safety rules for the subject product. MISUSE or failure to follow the safety rules stated in this instruction manual may cause serious personal injury.

FUNCTIONAL DESCRIPTION

⚠CAUTION:

- Always be sure that the tool is switched off and unplugged before adjusting or checking function on the tool.

Adjusting depth of cut

- Fig.7: 1. Clamping screw 2. Blade lower limit stopper

⚠CAUTION:

- After adjusting the depth of cut, always tighten the clamping screw securely.

Loosen the clamping screw on the depth guide and move the blade lower limit stopper to the desired depth on the scale plate. At the desired depth of cut, tighten the clamping screw firmly.

For cleaner, safer cuts, set cut depth so that no more than one blade tooth projects below workpiece. Using

proper cut depth helps to reduce potential for dangerous KICKBACKS which can cause personal injury.

NOTE:

- Setting the blade lower limit stopper to the desired depth on the scale plate allows rough depth of cut. For accurate depth of cut, measure the actual protrusion of saw blade below the tool base.

Quick stop button for 2 to 3 mm depth of cut when using guide rail (accessory)

► Fig.8: 1. Quick stop button

This tool has the quick stop button for 2 to 3 mm depth of cut on the gear housing aside the rear handle when using guide rail. This is used when avoiding splinter on the workpiece in the cut. Make a pass of the 2 to 3 mm first cut and then make another pass of usual cut.

To obtain the 2 to 3 mm depth of cut, push in the stop button toward the saw blade. This is convenient for avoiding splinter on the workpiece.

To release the depth of cut from this position for free depth of cut, just pull the button back.

► Fig.9: 1. Quick stop button

Bevel cutting

► Fig.10: 1. Clamping screws 2. Tool base

Tilting to the right

► Fig.11: 1. Positive stopper

Turn the positive stopper so that the arrow on it points one of two positions (vertical for 22.5°, horizontal for 45°). Loosen the clamping screws in front and back. Then, tilt the tool base until it stops and secure the base with the clamping screws.

To get 48° bevel angle, move the lever to 48° marking as far as it will go. Turn the positive stopper so that the arrow on it points to the horizontal position. Then, tilt the tool base until it stops and secure the base with the clamping screws.

► Fig.12: 1. Lever

Tilting to the left

► Fig.13: 1. Bevel angle shifting lever

The tool can be tilted to the left 1° bevel angle. To get the left 1° bevel angle, loosen the clamping screws in front and back, tilt the tool handle slightly to the right and push two bevel angle shifting levers at the same time in the direction of arrow which has a marking -1. And then tilt the tool handle to the left while pushing these two levers at the same time. Secure the base with the clamping screws.

NOTE:

- Returning the blade to the right angle makes the shifting lever return to 0° by itself.

Sighting

► Fig.14: 1. Base 2. Cutting line

When using the tool without guide rail (accessory)

For straight cuts, align the A position on the front of the base with your cutting line. For 45° bevel cuts, align the B position with it.

When using the tool with guide rail (accessory)

For both straight cuts and 45° bevel cuts, always align the A position on the front of the base with your cutting line.

Switch action

► Fig.15: 1. Lock-off button 2. Switch trigger

CAUTION:

- Before plugging in the tool, always check to see that the switch trigger actuates properly and returns to the "OFF" position when released.

To prevent the switch trigger from being accidentally pulled, a lock-off button is provided. To start the tool, push in the lock-off button and pull the switch trigger. Release the switch trigger to stop.

Speed adjusting dial

► Fig.16: 1. Speed adjusting dial

The tool speed can be adjusted by turning the adjusting dial. Higher speed is obtained when the dial is turned in the direction of number 6; lower speed is obtained when it is turned in the direction of number 1.

Refer to the table to select the proper speed for the workpiece to be cut. However, the appropriate speed may differ with the type or thickness of the workpiece. In general, higher speeds will allow you to cut workpieces faster but the service life of the blade will be reduced.

Number	min ⁻¹
1	2,200
2	2,700
3	3,800
4	4,900
5	6,000
6	6,400

CAUTION:

- The speed adjusting dial can be turned only as far as 6 and back to 1. Do not force it past 6 or 1, or the speed adjusting function may no longer work.
- The speed adjusting dial is not for using low speed rated saw blades but for obtaining a speed which is suitable to material of workpiece. Use only saw blades which are rated for at least the maximum no load speed stated in the SPECIFICATIONS.

The tools equipped with electronic function are easy to operate because of the following features.

Overload protector

When the tool is overloaded and current flows above a certain level, the tool automatically stops to protect motor.

Constant speed control

Electronic speed control for obtaining constant speed. Possible to get fine finish, because the rotating speed is kept constant even under load condition.

Soft start feature

Soft start because of suppressed starting shock.

ASSEMBLY

⚠ CAUTION:

- Always be sure that the tool is switched off and unplugged before carrying out any work on the tool.

Hex wrench storage

► Fig.17: 1. Hex wrench

Hex wrench is stored on the tool. To remove hex wrench, just pull it out.

To install hex wrench, place it on the grip and insert it as far as it will go.

Removing or installing saw blade

⚠ CAUTION:

- Do not use saw blades which do not comply with the characteristics specified in these instructions.
- Use only saw blades which are rated for at least the maximum no load speed stated in the SPECIFICATIONS.
- Be sure the blade is installed with teeth pointing up at the front of the tool.
- Use only the Makita wrench to install or remove the blade.

To remove the blade, push in the lock-off button to unlock the upper limit stopper.

► Fig.18: 1. Lock-off button 2. Locking lever

Turn the locking lever to lock the saw head for replacing a blade.

► Fig.19: 1. Locking lever

With the lock-off button depressed and the locking lever turned, lower the handle so that the lock pin fits in the groove formed by the locking lever and the depth guide with scale plate. Make sure that the lock pin fits in the groove.

Press the shaft lock fully so that the blade cannot revolve and use the wrench to loosen the hex bolt counterclockwise. Then remove the hex bolt, outer flange and blade.

► Fig.20: 1. Hex wrench 2. Shaft lock

To install the blade, follow the removal procedure in reverse. **BE SURE TO TIGHTEN THE HEX BOLT**

CLOCKWISE SECURELY.

► Fig.21: 1. Hex bolt 2. Outer flange 3. Saw blade
4. Inner flange

Blade guard cleaning

When changing the circular saw blade, make sure to also clean the blade guard of accumulated sawdust as discussed in the Maintenance section. Such efforts do not replace the need to check guard operation before each use.

Connecting a vacuum cleaner

► Fig.22: 1. Vacuum cleaner 2. Dust port

When you wish to perform clean cutting operation, connect a Makita vacuum cleaner to your tool. Connect a hose of the vacuum cleaner to the dust port as shown in the figure.

OPERATION

Section cutting (ordinary sawing)

⚠ CAUTION:

- Be sure to move the tool forward in a straight line gently. Forcing or twisting the tool will result in overheating the motor and dangerous kickback, possibly causing severe injury.
- Never approach any part of your body under the tool base when section cutting, especially at starting. Doing so may cause serious personal injuries. The blade is exposed under the tool base.

Hold the tool firmly. The tool is provided with both a front grip and rear handle. Use both to best grasp the tool. If both hands are holding saw, they cannot be cut by the blade. Set the front of base on the workpiece to be cut without the blade making any contact. Then push in the lock-off button and turn the tool on and wait until the blade attains full speed. Now press down the saw head slowly to the preset depth of cut and simply move the tool forward over the workpiece surface, keeping it flat and advancing smoothly until the sawing is completed. To get clean cuts, keep your sawing line straight and your speed of advance uniform. If the cut fails to properly follow your intended cut line, do not attempt to turn or force the tool back to the cut line. Doing so may bind the blade and lead to dangerous kickback and possible serious injury. Release switch, wait for blade to stop and then withdraw tool. Realign tool on new cut line, and start cut again. Attempt to avoid positioning which exposes operator to chips and dust being ejected from saw. Use eye protection to help avoid injury.

► Fig.23

When using with guide rail (accessory)

► Fig.24: 1. Adjusting screws

Place the tool on the rear end of guide rail. Turn two adjusting screws on the tool base so that the tool slides

smoothly without a clatter. Hold the tool firmly. The tool is provided with both a front grip and rear handle. Use both to best grasp the tool. Turn on the tool, press down the tool to the preset depth of cut and cut the splinter-guard along the full length with a stroke. The edge of the splinterguard corresponds to the cutting edge. When bevel cutting with the guide rail, slide the slide lever on the tool base so that the tool does not fall down on its side.

► **Fig.25:** 1. Slide lever

Move the slide lever on the tool base in the direction of arrow so that it engages the undercut groove in the guide rail.

Rip fence (guide rule) (Optional accessory)

► **Fig.26:** 1. Rip fence (Guide rule)

The handy rip fence allows you to do extra-accurate straight cuts. Simply slide the rip fence up snugly against the side of the workpiece and secure it in position with the screws on the front and the back of the base. It also makes repeated cuts of uniform width possible.

Overturning the rip fence (guide rule) also works as a sub base for the tool.

Plunge cutting (Cutting-out)

► **Fig.27:** 1. Rear edge of tool base 2. Fixed stop

⚠ **WARNING:**

- To avoid a kickback, be sure to observe the following instructions.

When using the tool without guide rail

Place the tool on the workpiece with the rear edge of tool base against a fixed stop or equivalent which is devised by an operator.

When using the tool with guide rail

Place the tool on the guide rail with the rear edge of tool base against a fixed stop or equivalent which is clamped on the guide rail.

Hold the tool firmly with one hand on the front grip and the other on the tool handle. Then push in the lock-off button and turn the tool on and wait until the blade attains full speed. Now press down the saw head slowly to the preset depth of cut and simply move the tool forward to the desired plunge position.

NOTE:

- The markings on the side of the blade guard show the front and rear cutting points of the saw blade (A for diameter 160 mm and B for diameter 165 mm) at the maximum cutting depth and using the guide rail.

► **Fig.28**

Guide device (accessories)

Use of the miter gauge (accessory) allows exact miter cuts with angles and fitting works.

Use of the clamp (accessory) ensures firm hold of workpiece on the table.

MAINTENANCE

⚠ **CAUTION:**

- Always be sure that the tool is switched off and unplugged before attempting to perform inspection or maintenance.
- **Clean out the guard to ensure there is no accumulated sawdust which may impede the operation of the guarding system.** A dirty guarding system may limit the proper operation which could result in serious personal injury. The most effective way to accomplish this cleaning is with compressed air. **If the dust is being blown out of the guard, be sure the proper eye and breathing protection is used.**
- Never use gasoline, benzine, thinner, alcohol or the like. Discoloration, deformation or cracks may result.

Adjusting for accuracy of 90° and 45° cut (vertical and 45° cut)

This adjustment has been made at the factory. But if it is off, adjust the adjusting screws with a hex wrench while inspecting 90° or 45° the blade with the base using a triangular rule or square rule, etc.

► **Fig.29:** 1. Adjusting screw for 90°

► **Fig.30:** 1. Adjusting screw for 45°

NOTE:

- Adjusting for accuracy of 22.5°, 48° and -1° cut cannot be performed.

Replacing carbon brushes

► **Fig.31:** 1. Limit mark

Remove and check the carbon brushes regularly. Replace when they wear down to the limit mark. Keep the carbon brushes clean and free to slip in the holders. Both carbon brushes should be replaced at the same time. Use only identical carbon brushes.

► **Fig.32:** 1. Screwdriver 2. Brush holder cap

Use a screwdriver to remove the brush holder caps. Take out the worn carbon brushes, insert the new ones and secure the brush holder caps.

To maintain product SAFETY and RELIABILITY, repairs, any other maintenance or adjustment should be performed by Makita Authorized Service Centers, always using Makita replacement parts.

OPTIONAL ACCESSORIES

⚠ CAUTION:

- These accessories or attachments are recommended for use with your Makita tool specified in this manual. The use of any other accessories or attachments might present a risk of injury to persons. Only use accessory or attachment for its stated purpose.

If you need any assistance for more details regarding these accessories, ask your local Makita Service Center.

- Saw blades
- Guide rail
- Rip fence (Guide rule)
- Miter gauge
- Clamp
- Hex wrench
- Sheet set for guide rail
- Rubber sheet set for guide rail
- Position sheet set for guide rail

NOTE:

- Some items in the list may be included in the tool package as standard accessories. They may differ from country to country.

SPECIFIKATIONER

Modell		SP6000
Bladdiameter		165 mm
Max. fräsdjup	vid 90°	56 mm
	vid 45°	40 mm
	vid 48°	38 mm
Obelastat varvtal (min ⁻¹)		2 200 - 6 400
Längd		341 mm
Vikt		4,1 kg
Säkerhetsklass		□/II

- På grund av vårt pågående program för forskning och utveckling kan dessa specifikationer ändras utan föregående meddelande.
- Specifikationer kan variera mellan olika länder.
- Vikten kan variera beroende på tillbehören. Den lättaste och den tyngsta kombinationen enligt EPTA-procedur 01/2014 visas i tabellen.

Avsedd användning

Verktyget är avsett för genomstickssågning. Verktyget är även avsett för längsgående och tvärgående sågning i trä. Om maskinen är utrustad med en lämplig cirkelsågklinga, kan maskinen användas för att såga i aluminiumskivor, plastskivor, panelskivor och mineral-innehållande väggpaneler.

Strömförsörjning

Maskinen får endast anslutas till elnät med samma spänning som anges på typplåten och med enfasig växelström. De är dubbelisolerade och får därför också anslutas i ojordade vägguttag.

Buller

Typiska A-vägda bullernivån är mätt enligt EN62841-2-5:

- Ljudtrycksnivå (L_{pA}): 95 dB (A)
- Ljudeffektnivå (L_{WA}): 103 dB (A)
- Måttolerans (K): 3 dB (A)

OBS: Det deklarerade bullervärdet har uppmätts i enlighet med standardtestmetoden och kan användas för jämförandet av en maskin med en annan.

OBS: Det deklarerade bulleremissionsvärdet kan också användas i en preliminär bedömning av exponering för vibration.

⚠ VARNING: Använd hörselskydd.

⚠ VARNING: Bulleremissionen under faktisk användning av maskinen kan skilja sig från det deklarerade värdet, beroende på hur maskinen används och särskilt vilken typ av arbetsstycke som behandlas.

⚠ VARNING: Var noga med att identifiera säkerhetsåtgärder för att skydda användaren, vilka är grundade på en uppskattning av graden av exponering för vibrationer under de faktiska användningsförhållandena, (ta, förutom avtryckartiden, med alla delar av användarcykeln i beräkningen, som till exempel tiden då maskinen är avstängd och när den går på tomgång).

Vibration

Vibrationens totalvärde (tre-axlars vektorsumma) mätt enligt EN62841-2-5:

- Arbetsläge: sågning i trä
Vibrationsemission ($a_{h,W}$): 2,5 m/s² eller lägre
Måttolerans (K): 1,5 m/s²
- Arbetsläge: metallsågning
Vibrationsemission ($a_{h,M}$): 2,5 m/s² eller lägre
Måttolerans (K): 1,5 m/s²

OBS: Det deklarerade totala vibrationsvärdet har uppmätts i enlighet med standardtestmetoden och kan användas för jämförandet av en maskin med en annan.

OBS: Det deklarerade totala vibrationsvärdet kan också användas i en preliminär bedömning av exponering för vibration.

⚠ VARNING: Vibrationsemissionen under faktisk användning av maskinen kan skilja sig från det deklarerade värdet, beroende på hur maskinen används och särskilt vilken typ av arbetsstycke som behandlas.

⚠ VARNING: Var noga med att identifiera säkerhetsåtgärder för att skydda användaren, vilka är grundade på en uppskattning av graden av exponering för vibrationer under de faktiska användningsförhållandena, (ta, förutom avtryckartiden, med alla delar av användarcykeln i beräkningen, som till exempel tiden då maskinen är avstängd och när den går på tomgång).

Försäkran om överensstämmelse

Gäller endast inom EU

Försäkran om överensstämmelse ingår i bilaga A till denna bruksanvisning.

Allmänna säkerhetsvarningar för maskiner

⚠ VARNING Läs alla säkerhetsvarningar, instruktioner, illustrationer och specifikationer som medföljer detta elverktyg. Underlåtenhet att följa alla instruktioner nedan kan leda till elstöt, brand och/eller allvarliga personskador.

Spara alla varningar och instruktioner för framtida referens.

Termen "maskin" som anges i varningarna hänvisar till din eldrivna maskin (sladdansluten) eller batteridrivna maskin (sladdlös).

Säkerhetsvarningar för cirkelsåg

Sågningförfarande

1. **⚠ FARA:** Håll alltid händerna borta från sågningsområdet. Håll den andra handen på det extra handtaget eller motorhuset. Om du håller i sågen med båda händerna kan de inte skadas av klingan.
2. **Sträck dig inte in under arbetsstycket.** Skyddet har ingen skyddsfunktion under arbetsstycket.
3. **Ställ in sågdjupet efter arbetsstyckets tjocklek.** Mindre än en hel sågtand får synas under arbetsstycket.
4. **Håll aldrig arbetsstycket i händerna eller i knäet vid kapning.** Fäst arbetsstycket på ett stabilt underlag. Det är viktigt att arbetsstycket stöds ordentligt för att minimera risken för skador, undvika att klingan fastnar eller att något oväntat inträffar.

► Fig. 1

5. **Håll maskinen i de isolerade handtagen om det finns risk för att skärverktyget kan komma i kontakt med en dold elkabel eller sin egen kabel.** Om skärverktyget kommer i kontakt med en strömförande ledning blir maskinens metall-delar strömförande och kan ge användaren en elektrisk stöt.
6. **Vid klyvsågning ska alltid ett parallell- eller**

sidoanslag användas. Detta förbättrar noggrannheten vid sågningen och minskar risken för att klingan nyper fast.

7. **Använd alltid en sågklinga med rätt storlek och form (diamant respektive rund) på styrhålen.** Klingor som inte passar monteringsfästet i sågen löper ojämnt, vilket ger en okontrollerbar sågning.
8. **Använd aldrig en klingbricka eller bult som på något sätt är felaktigt eller skadad.** Klingbrickorna och bulten är specialtillverkade till sågen för optimal prestanda och säkerhet.

Orsaker till bakåtkast och relaterade varningar

- Bakåtkast är en plötslig reaktion när ett sågblad kläms, fastnar eller är felinriktat och innebär att sågen kastas upp ur arbetsstycket.
- Om klingan kläms eller fastnar och sågskäret därmed stoppas, driver motorkraften sågen mot användaren i hög hastighet.
- Om klingan böjs eller blir felriktad i sågskäret kan sågtänderna på klingans bakkant gräva sig in på ytan av arbetsstycket, driva klingan ur skäret och kasta sågen bakåt mot användaren.

Bakåtkast beror på ovarsamhet och/eller felaktiga arbetsrutiner och kan undvikas genom att vidta nedanstående förebyggande åtgärder.

1. **Håll sågen stadigt med båda händerna och placera armarna så att de kan ta emot kraften från ett bakåtkast. Stå vid sidan av klingan och aldrig i dess linje.** Vid ett bakåtkast kastas sågen bakåt, men kraften i bakåtkastet kan kontrolleras av användaren om rätt försiktighetsåtgärder vidtas.
2. **Om klingan kläms eller av annan orsak hindras i skäret ska du släppa avtryckaren och hålla sågen stilla i skäret tills klingan har stannat. För att undvika bakåtkast ska du aldrig försöka ta bort sågen från arbetsstycket eller dra sågen bakåt när klingan är i rörelse.** Undersök och åtgärda orsaken till att klingan fastnar.
3. **När sågen startas igen i arbetsstycket ska du centrera sågklingan i skäret och kontrollera att ingen sågtand är i ingrepp i materialet.** Om sågbladet sitter fast i materialet kan sågen klättra upp eller medföra bakåtkast när sågen startas på nytt.
4. **Stötta långa arbetsstycken för att minimera risken för att klingan nyper fast och ger bakåtkast.** Långa arbetsstycken böjs av sin egen tyngd. Placera stöd på båda sidorna, både nära såglinjen och vid kanten på arbetsstycket.

► Fig. 2

► Fig. 3

5. **Använd aldrig slöa eller skadade klingor.** En oskarp eller felinställd klinga ger ett trångt sågskär som orsakar onödig friktion och klingan kan lättare fastna och ge bakåtkast.
6. **Klargdjup och nivåinställda låsspakar måste vara åtdragna och låsta innan sågning.** Om klingans justering skiftar under sågning kan det orsaka att den nyper fast och ger bakåtkast.
7. **Var extra uppmärksam vid sågning i väggar eller andra dolda utrymmen.** Den utskjutande klingan kan säga av föremål som kan orsaka

bakåtkast.

8. Håll ALLTID maskinen stadigt med båda händerna. Placera ALDRIG handen, benet eller någon annan kroppsdel under bottenplattan eller bakom sågen, i synnerhet vid tvärsågning. Vid eventuella bakåtkast kan sågen lätt kastas bakåt mot handen och orsaka allvarliga skador.

► Fig.4

9. Forcera aldrig sågen. Skjut sågen framåt med en sågningshastighet som låter klingan såga utan att tappa fart. En såg som forceras ger ojämna skär, är svårare att styra och ger risk för bakåtkast.

Skyddets funktion

1. Kontrollera att skyddet stängs före varje sågning. Använd inte sågen om skyddet kärvar och inte omedelbart omsluter klingan. Kila aldrig fast eller bind fast skyddet så att klingan exponeras. Om du tappar sågen kan det nedre skyddet böjas. Kontrollera, för alla sågvinklar och sågdjup, att skyddet inte kärvar eller vidrör klingan eller annan del.
2. Kontrollera funktionen hos skyddets fjäder. Om skyddet eller fjädern inte fungerar på avsett sätt ska sågen underhållas innan den används. Skyddet kan fungera ojämnt på grund av skadade delar, gummiavlagringar eller andra ansamlingar.
3. Kontrollera att sågens bordsplatta inte ändras under "genomsticket". Om klingan förflyttar sig sidledes finns risk för att klingan nyper fast och kastas bakåt.
4. Kontrollera alltid att skyddet täcker klingan innan du ställer ned sågen på ett arbetsbord eller på golvet. En oskyddad klinga som roterar medför att sågen vandrar bakåt och sågar i allt som kommer i dess väg. Tänk på att det tar en stund innan klingan stannar efter att du har släppt avtryckaren.

Ytterligare säkerhetsvarningar

1. Var extra försiktig vid sågning i fuktigt, tryckbehandlat och kvistigt trä. Låt hela tiden verktyget föras fram smidigt utan att minska klingans hastighet, för att undvika att klingspetsarna överhettas och att plasten smälter om det är plast som kapas.
2. Ta aldrig bort sågat material medan klingan rör sig. Vänta tills klingan har stannat innan du tar bort det sågade materialet. Klingan stannar inte omedelbart när maskinen stängs av.
3. Undvik att såga i spik. Kontrollera arbetstrycket och ta bort alla spikar innan du börjar såga.
4. Placera större delen av sågbordet på den del av arbetsstycket som har ett fast stöd och inte på den del som ska sågas bort. Kläm fast arbetsstycken som är små eller korta. **FÖRSÖK INTE ATT HÅLLA SMÅ ARBETSSTYCKEN I HANDEN!**

► Fig.5

5. Kontrollera att skyddet är stängt och att klingan har stannat innan du ställer ifrån dig sågen.

6. Använd aldrig cirkelsågen upp-och-nedvänd i ett skruvståd. Det är extremt farligt och kan leda till allvarliga olyckor.

► Fig.6

7. Vissa material kan innehålla giftiga kemikalier. Se till att du inte andas in damm eller får det på huden. Följ anvisningarna i leverantörens materialsäkerhetsblad.
8. Försök inte stoppa klingorna genom att trycka på dem.
9. Använd inte några slipskivor.
10. Använd endast sågklingor med den diameter som finns markerad på maskinen eller angiven i handboken. Om en klinga med fel storlek används kan det påverka skyddet för klingan eller skyddets funktion vilket kan resultera i allvarlig personskada.
11. Håll klingan vass och ren. Gummi- och trärester på klingan hindrar sågningen och ökar risken för bakåtkast. Ta bort klingan från sågen och gör rent den med ett borttagningsmedel för gummi- och trärester, varmt vatten och fotogen. Använd aldrig bensin.
12. Använd alltid andningsmask och hörselskydd när du arbetar med verktyget.
13. Använd alltid ett sågblad som är avsett för att skära i det avsedda materialet.
14. Använd endast sågblad som är märkta med ett maximalt varvtal som är lika med eller högre än varvtalet som är märkt på maskinen.
15. (Endast för länder i Europa)
Använd alltid blad som överensstämmer med EN847-1 när du sågar i trä eller liknande.

SPARA DESSA ANVISNINGAR.

⚠ VARNING: GLÖM INTE att också fortsättningsvis strikt följa säkerhetsanvisningarna för maskinen även efter att du blivit van att använda den. Vid FELAKTIG HANTERING av maskinen eller om inte säkerhetsanvisningarna i denna bruksanvisning följs kan följden bli allvarliga personsador.

FUNKTIONSBE- SKRIVNING

⚠ FÖRSIKTIGT:

- Se alltid till att maskinen är avstängd och nätsladden urdragen innan du justerar eller funktionskontrollerar maskinen.

Inställning av hyvlingdjup

- Fig.7: 1. Låsskruv 2. Nedre klinggränsstopp

⚠ FÖRSIKTIGT:

- Dra alltid åt låsskraven ordentligt efter att skär-djupet justerats.

Lossa låsskraven på djupanslaget och flytta det nedre

klingsgränsstoppet till rätt djup på skalan. Dra alltid åt låsskruven ordentligt efter inställningen av skärdjup. Bästa sågresultat och säkraste sågning erhålls om sågdjupet ställs in så att endast en sågtand syns på arbetsstyckets undersida. Rätt inställning av sågdjupet bidrar till att minska risken för BAKÅTKAST som kan medföra allvarliga personsador.

OBS:

- Inställning av det nedre klingsgränsstoppet på rätt djup på skalan ger ett ungefärligt mått på skärdjupet. Mät det verkliga måttet som klingan sticker ut om en exakt djupinställning måste göras.

Snabbstoppknapp för 2 - 3 mm skärdjup när löpskena (tillbehör) används

► **Fig.8:** 1. Knapp för snabbstopp

Maskinen är utrustad med en snabbstoppknapp, placerad på växellådshuset intill bakre handtaget, för ett skärdjup på 2 - 3 mm när löpskena används. Använd denna funktion när du vill undvika att arbetsstycket splittras under sågningen. Gör en försågning med ett spår på 2 - 3 mm före den ordinarie sågningen. Skärdjupet på 2 - 3 mm erhålls genom att du skjuter stoppknappen mot sågklingan. Detta är ett praktiskt sätt att förebygga att arbetsstycket splittras. Dra tillbaka knappen för att ta bort djupinställningsstoppet.

► **Fig.9:** 1. Knapp för snabbstopp

Vinkelsågning

► **Fig.10:** 1. Låsskruvar 2. Bottenplatta

Vinkling åt höger

► **Fig.11:** 1. Fast stopp

Vrid det fasta stoppet så att pilen pekar på en av de två positionerna (vertikalt för 22,5°, horisontellt för 45°). Lossa låsskruvarna på fram- och baksidan. Luta bottenplattan så långt det går och skruva sedan fast plattan med låsskruvarna.

Flytta spaken till 48°-markeringen för att erhålla en vinkel på 48°. Vrid det fasta stoppet så att pilen pekar på den horisontella positionen. Luta sedan bottenplattan så långt det går och skruva sedan fast plattan med låsskruvarna.

► **Fig.12:** 1. Spak

Vinkling åt vänster

► **Fig.13:** 1. Inställningsspak för vinkelsågning

Maskinen kan lutas 1° grad åt vänster. För att ställa in lutningsvinkeln 1° åt vänster lossar du låsskruvarna på fram- och baksidan, lutar maskinens handtag något åt höger och skjuter samtidigt de båda inställningsspakarna för vinkelsågning i riktning mot pilen med markeringen -1. Och lutar sedan maskinens handtag åt vänster medan du samtidigt trycker på dessa två spakar. Läs fast bottenplattan med låsskruvarna.

OBS:

- Genom att ställa klingan i rät vinkel återgår inställningsspaken för vinkelsågning automatiskt till 0°.

Inriktning

► **Fig.14:** 1. Bottenplatta 2. Skärinlje

Använda maskinen utan löpskena (tillbehör)

För raka skär används position A framtill på sågbordet för att rikta in såglinjen. För 45° vinkelsågning används position B.

Använda maskinen med löpskena (tillbehör)

Både vid rätvinkliga skär och 45° vinkelsågning ska position A i bottenplattans framkant alltid riktas in mot skärinljen.

Avtryckarens funktion

► **Fig.15:** 1. Säkerhetsknapp 2. Avtryckarknapp

⚠ FÖRSIKTIGT:

- Innan du ansluter maskinen till elnätet ska du kontrollera att avtryckaren fungerar och återgår till läget "OFF" när du släpper den.

En säkerhetsknapp förhindrar oavsiktlig aktivering av avtryckaren. Tryck in säkerhetsknappen och tryck sedan in avtryckaren för att starta maskinen. Släpp avtryckaren för att stoppa maskinen.

Ratt för hastighetsinställning

► **Fig.16:** 1. Ratt för hastighetsinställning

Maskinens hastighet kan justeras med hjälp av ratten för hastighetsinställning. En högre hastighet erhålls när ratten vrids i riktning mot nummer 6; en lägre hastighet erhålls när den vrids i riktning mot nummer 1. Se tabellen för att välja rätt hastighet för det arbetsstycke som skall sågas. Passande hastighet kan däremot variera beroende på arbetsstyckets tjocklek. Generellt sett kan du med en snabbare hastighet såga stycken snabbare, men livslängden för sågbladet minskar.

Nummer	min ⁻¹
1	2 200
2	2 700
3	3 800
4	4 900
5	6 000
6	6 400

⚠ FÖRSIKTIGT:

- Ratten för hastighetsinställning kan endast vridas till 6 och tillbaka till 1. Tvinga den inte förbi 6 eller 1, eftersom det kan leda till att funktionen för hastighetsinställning inte längre fungerar.
- Ratten för hastighetsinställning är inte till för användning av sågklingor som är klassade för låg hastighet utan för att erhålla en hastighet som är lämplig för materialet i arbetsstycket. Använd endast sågklingor som är klassade för minst den maximala hastigheten utan last som anges i SPECIFIKATIONERNA.

Följande elektroniska funktioner underlättar användningen av maskinen.

Överbelastningskydd

När maskinen överbelastas och strömmen överstiger en viss nivå stängs maskinen automatiskt av för att skydda motorn.

Konstant hastighetskontroll

Elektronisk hastighetskontroll för att erhålla en konstant hastighet. Detta alternativ ger dig möjlighet att få en fin finish eftersom den roterande hastigheten hålls konstant även vid hög belastning.

Mjukstartfunktion

Mjukstart genom att startkrafterna undertrycks.

MONTERING

⚠ FÖRSIKTIGT:

- Se alltid till att maskinen är avstängd och nätsladden urdragen innan maskinen repareras.

Förvaring av insexnyckel

► **Fig.17:** 1. Insexnyckel

Insexnyckeln förvaras på maskinen. Dra bara ut insexnyckeln när den ska användas.

Sätt tillbaka den genom att trycka in den i sitt fäste.

Demontering eller montering av sågklinga

⚠ FÖRSIKTIGT:

- Använd inte sågklingor som inte överensstämmer med de specifikationer som ges i denna bruksanvisning.
- Använd endast sågklingor som är klassade för minst den maximala hastigheten utan last som anges i SPECIFIKATIONERNA.
- Montera klingan med sågtänderna uppåt i maskinens framkant.
- Använd endast medföljande insexnyckel från Makita för att montera eller demontera sågklingan.

Ta bort klingan genom att trycka in startspärren för att

läsa upp det övre klinggränsstoppet.

► **Fig.18:** 1. Säkerhetsknapp 2. Låsspak

Vrid låsspaken för att låsa såghuvudet innan du byter klinga.

► **Fig.19:** 1. Låsspak

Sänk ned handtaget när startspärren är intryckt och låsspaken vriden, och passa in låspinnen i spåret mellan låsspaken och djupskalan. Se till att låspinnen sitter rätt i spåret.

Tryck in spindellåset helt så att sågklingan inte kan rotera och lossa sexkantbulten moturs med insexnyckeln. Ta sedan bort insexbulten, den yttre flänsen och klingan.

► **Fig.20:** 1. Insexnyckel 2. Spindellås

Montera klingan i omvänd ordning. SE TILL ATT DRA ÅT INSEXBULTEN MEDURS ORDENTLIGT.

► **Fig.21:** 1. Sexkantskruv 2. Yttre fläns 3. Sågblad 4. Innerfläns

Rengöring av klingskydd

Vid byte av cirkelsågblad, se till att även göra rent klingskyddet från sågdamm enligt avsnittet om underhåll. Detta ersätter inte det nödvändiga i att kontrollera att skydden fungerar som de ska före varje användning.

Anslutning av en dammsugare

► **Fig.22:** 1. Dammsugare 2. Dammutblås

Anslut en dammsugare från Makita när du vill ha rent under sågningen. Anslut dammsugarsslangen till dammutblåset enligt bilden.

ANVÄNDNING

Sektionssågning (normal sågning)

⚠ FÖRSIKTIGT:

- Se till att maskinen förs mjukt längs en rät linje. Om du tvingar eller vrider sågen överhettas motorn och det finns risk för kraftiga bakåtkast som kan medföra allvarliga skador.
- Se till att inte ha någon del av kroppen under bottenplattan vid sektionssägning, i synnerhet vid start. I annat fall finns risk för allvarliga personskador. Klingan är exponerad under bottenplattan.

Håll verktyget i ett fast grepp. Verktyget är försett med handtag både fram och bak. Använd båda handtagen för att hålla verktyget stadigt. Om du håller sågen med båda händerna, kan de inte skadas av klingan. Ställ ned bottenplattans framkant på arbetsstycket utan att klingan kommer i kontakt. Tryck in startspärren, starta maskinen och vänta tills klingan uppnått full hastighet. Rör nu såghuvudet sakta till det förinställda sågdjupet och för maskinen framåt över arbetsstyckets yta. Håll maskinen platt mot ytan och fortsätt framåt tills sågningen är klar.

För att få en renare sågning ska du hålla rak såglinje och jämn hastighet framåt. Försök inte att vrida eller tvinga verktyget tillbaka till såglinjen om den avsedda såglinjen inte kan följas. Klingan kan då fastna och

farligt bakåtkast inträffa med risk för allvarliga skador som följd. Släpp avtryckaren, vänta tills klingan har stannat och ta sedan bort maskinen. Rikta in verktyget mot en ny såglinje och starta sågningen på nytt. Undvik att stå så att du utsätts för spån och damm som kastas ut från sågen. Använd skyddsglasögon för att undvika skador.

► Fig.23

Användning med löpskena (tillbehör)

► Fig.24: 1. Ställskruvar

Placera sågen i löpskenans bakkant. Vrid de två inställningsskruvarna på bottenplattan så att sågen glider mjukt utan skrammel. Håll maskinen stadigt. Maskinen är försedd med handtag både fram och bak. Använd båda handtagen för att hålla maskinen stadigt. Starta maskinen, tryck ned den till det förinställda skärdjupet och såga hela skäret längs splitterskyddet i ett moment. Kanten på splitterskyddet motsvarar skärlinjen.

Vid vinkelsågning med löpskena skjuter du fast spaken på bottenplattan för att maskinen inte ska falla åt sidan.

► Fig.25: 1. Skjutspak

Skjut spaken på bottenplattan i pilens riktning så att den fastnar i löpskenans spår.

Parallellanslag (anslagsskena) (valfritt tillbehör)

► Fig.26: 1. Parallellanslag (anslagsskena)

Det praktiska parallellanslaget hjälper dig att få raka skär. Placera parallellanslaget dikt an mot arbetsstyckets sida och lås fast det med skruvarna i bottenplattans fram- och bakkant. Parallellanslaget kan också användas när du vill såga flera arbetsstycken med samma bredd.

Vänd parallellanslaget (styrinjalen) för att få ett extra stöd för maskinen.

Genomstickssågning (utskärning)

► Fig.27: 1. Bottenplattans bakkant 2. Fast stopp

⚠ VARNING:

- Följ nedanstående anvisningar för att undvika bakåtkast.

Använda maskinen utan löpskena

Placera maskinen på arbetsstycket med bottenplattans bakkant mot ett fast stopp eller motsvarande användarmonterat stödstopp.

Använda maskinen med löpskena

Placera maskinen på löpskenan med bottenplattans bakkant mot ett fast stopp eller motsvarande som är fäst på löpskenan.

Håll maskinen i ett fast grepp med ena handen på främre handtaget och den andra på maskinhandtaget. Tryck in startspårren, starta maskinen och vänta tills klingan uppnått full hastighet. Tryck långsamt ned såghuvudet till det förinställda skärdjupet och för sedan

maskinen framåt till positionen för genomsticket.

OBS:

- Markeringarna på sidan av klingskyddet visar det främre och bakre läget för sågklingan (A för diameter 160 mm och B för diameter 165 mm) vid maximalt skärdjup med löpskena.

► Fig.28

Styrverktyg (tillbehör)

Geringsverktyg (tillbehör) används för exakta sågvinklar och finsnickrier.

Använd tvingar (tillbehör) för att säkerställa att arbetsstycket sitter ordentligt fast på bordet.

UNDERHÅLL

⚠ FÖRSIKTIGT:

- Se alltid till att maskinen är avstängd och nätkabeln urdragen innan inspektion eller underhåll utförs.
- **Rensa skyddet för att se till inte sågspån har samlats där som kan hindra funktionen för skyddssystemet.** Ett smutsigt skyddssystem kan begränsa den korrekta funktionen vilket kan leda till allvarliga personskador. Det effektivaste rengöringssättet är med tryckluft. **Se till att använda korrekta ögon- och andningsskydd om dammet blåses ut från skyddet.**
- Använd inte bensin, thinner, alkohol eller liknande. Missfärgning, deformation eller sprickor kan uppstå.

Inställning för exakt 90° och 45° sågning (vertikalsågning och 45° sågning)

Dessa inställningar är fabriksgjorda. Om inställningarna har ändrats justerar du inställningsskruven med insexnyckeln samtidigt som vinkeln 90° eller 45° kontrolleras med t ex en vinkelhake.

► Fig.29: 1. Justeringskruv för 90°

► Fig.30: 1. Justeringskruv för 45°

OBS:

- Fininställning av noggrannheten vid sågvinklarna 22,5°, 48° och -1° kan inte göras.

Byte av kolborstar

► Fig.31: 1. Slitmarkering

Ta bort och kontrollera kolborstarna regelbundet. Byt dem när de är slitna ner till slitmarkeringen. Håll kolborstarna rena så att de lätt kan glida in i hållarna. Båda kolborstarna ska bytas ut samtidigt. Använd endast identiska kolborstar.

► Fig.32: 1. Skruvmejsel 2. Kolhållarlock

Använd en skruvmejsel för att ta bort locken till kolborstarna. Ta ur de utslitna kolborstarna, montera nya och montera locken.

För att upprätthålla produktens SÄKERHET och TILLFÖRLITLIGHET bör allt underhålls- och justeringsarbete utföras av ett auktoriserat Makita servicecenter och med reservdelar från Makita.

VALFRIA TILLBEHÖR

FÖRSIKTIGT:

- Dessa tillbehör och tillsatser rekommenderas för användning tillsammans med den Makita-maskin som denna bruksanvisning avser. Om andra tillbehör eller tillsatser används kan det uppstå risk för personskador. Använd endast tillbehören eller tillsatserna för de syften de är avsedda för.

Kontakta ditt lokala Makita servicecenter om du behöver ytterligare information om dessa tillbehör.

- Sägklingor
- Styrskena
- Parallellanslag (anslagsskena)
- Geringsanslag
- Klämma
- Insexnyckel
- Skivsats för löpskena
- Sats med gummiskivor för löpskena
- Sats med positionsskivor för löpskena

OBS:

- Några av tillbehören i listan kan vara inkluderade i maskinpaketet som standardtillbehör. De kan variera mellan olika länder.

TEKNISKE DATA

Modell		SP6000
Bladdiameter		165 mm
Maks. skjæredybde	ved 90°	56 mm
	ved 45°	40 mm
	ved 48°	38 mm
Hastighet uten belastning (min ⁻¹)		2 200 - 6 400
Total lengde		341 mm
Nettvekt		4,1 kg
Sikkerhetsklasse		□/II

- På grunn av vårt kontinuerlige forsknings- og utviklingsprogram kan spesifikasjonene som oppgis i dette dokumentet endres uten varsel.
- Spesifikasjonene kan variere fra land til land.
- Vekten kan variere avhengig av tilbehøret/tilbehørene. Den letteste og tyngste kombinasjonen, i henhold til EPTA-prosedyre 01/2014, vises i tabellen.

Riktig bruk

Dette verktøyet er laget spesielt for dykksaging. Verktøyet er også beregnet på kutting på langs og tvers i tre. Hvis verktøyet er utstyrt med riktig sirkelsagblad, kan det brukes til å sage i aluminiumsplater, plastplater, bordkledning og veggpaneler i metall.

Strømforsyning

Maskinen må bare kobles til en strømkilde med samme spenning som vist på typeskiltet, og kan bare brukes med enfase-vekselstrømforsyning. Den er dobbelt verneisoleret og kan derfor også brukes fra kontakter uten jording.

Støy

Typisk A-vektet lydtryknivå er bestemt i henhold til EN62841-2-5:

Lydtryknivå (L_{pA}): 95 dB (A)
 Lydeffektnivå (L_{WA}): 103 dB (A)
 Usikkerhet (K): 3 dB (A)

MERK: Den/de oppgitte verdien(e) for genererte vibrasjoner har blitt målt i henhold til standard testmetoder, og kan bli brukt til å sammenligne ett verktøy med et annet.

MERK: Den/de angitte verdien(e) for de genererte vibrasjonene kan også brukes til en foreløpig vurdering av eksponeringen.

⚠ ADVARSEL: Bruk hørselsvern.

⚠ ADVARSEL: De genererte vibrasjonene ved faktisk bruk av elektroverktøyet kan avvike fra den/de angitte vibrasjonsverdien(e), avhengig av hvordan verktøyet brukes.

⚠ ADVARSEL: Sørg for å identifisere vernetiltak for å beskytte operatøren, som er basert på et estimat av eksponeringen under de faktiske bruksforholdene (idet det tas hensyn til alle deler av driftssyklusen, dvs. hvor lenge verktøyet er slått av, hvor lenge det går på tomgang og hvor lenge startbryteren faktisk holdes trykket).

Vibrasjon

Den totale vibrasjonsverdien (triaksial vektorsum) bestemt i henhold til EN62841-2-5:

Arbeidsmåte: Saging av tre
 Genererte vibrasjoner ($a_{h,w}$): 2,5 m/s² eller mindre
 Usikkerhet (K): 1,5 m/s²
 Arbeidsmåte: kutte metall
 Genererte vibrasjoner ($a_{h,m}$): 2,5 m/s² eller mindre
 Usikkerhet (K): 1,5 m/s²

MERK: Den/de oppgitte verdien(e) for totalt genererte vibrasjoner har blitt målt i henhold til standard testmetoder, og kan bli brukt til å sammenligne ett verktøy med et annet.

MERK: Den/de angitte verdien(e) for totalt genererte vibrasjoner kan også brukes til en foreløpig vurdering av eksponeringen.

⚠ ADVARSEL: De genererte vibrasjonene ved faktisk bruk av elektroverktøyet kan avvike fra den/de angitte vibrasjonsverdien(e), avhengig av hvordan verktøyet brukes og spesielt i forhold til arbeidsstykket som blir behandlet.

⚠ ADVARSEL: Sørg for å identifisere vernetiltak for å beskytte operatøren, som er basert på et estimat av eksponeringen under de faktiske bruksforholdene (idet det tas hensyn til alle deler av driftssyklusen, dvs. hvor lenge verktøyet er slått av, hvor lenge det går på tomgang og hvor lenge startbryteren faktisk holdes trykket).

Samsvarserklæring

Gjelder kun for land i Europa

Samsvarserklæringene er lagt til som vedlegg A i denne bruksanvisningen.

Generelle advarsler angående sikkerhet for elektroverktøy

⚠ADVARSEL Les alle sikkerhetsadvarsler, instruksjoner, illustrasjoner og spesifikasjoner som følger med dette elektroverktøyet. Hvis ikke alle instruksjonene nedenfor følges, kan det føre til elektrisk støt, brann og/eller alvorlig personskade.

Oppbevar alle advarsler og instruksjoner for senere bruk.

Uttrykket «elektrisk verktøy» i advarslene refererer både til elektriske verktøy (med ledning) tilkoblet strømmenett, og batteridrevne verktøy (uten ledning).

Sikkerhetsadvarsler for sirkelsag

Skjæreprosedyrer

1. **⚠FARE:** Hold hendene unna kappeområdet og bladet. Hold den andre hånden på hjelpehåndtaket eller motorhuset. Hvis du holder sagen med begge hendene, risikerer du ikke at de blir skåret av bladet.
2. **Ikke strekk deg under arbeidsstykket.** Bladvernet kan ikke beskytte deg mot bladet under arbeidsemnet.
3. **Juster dybden på kutt til tykkelsen på arbeidsstykket.** Mindre enn en hel sagtann skal være synlig nedenfor arbeidsemnet.
4. **Du må aldri holde arbeidsstykket med hendene eller la det ligge tvers over bena dine når det kuttes. Sikre arbeidsstykket på en stødig plattform.** Det er viktig å støtte arbeidsstykket ordentlig for å gjøre risikoen minst mulig for å få skader, for at bladet skal sette seg fast, eller for at du skal miste kontrollen.

► Fig.1

5. **Hold elektroverktøyet i de isolerte gripeflatene når skjæreverktøyet kan komme i kontakt med skjulte ledninger eller sin egen ledning under arbeidet.** Kontakt med en strømførende ledning kan føre til at metalledene på elektroverktøyet også blir strømførende, og kan gi brukeren elektrisk støt.
6. **Ved kløyving må du alltid bruke et parallellanlegg eller en føring med rett kant.** Dette forbedrer nøyaktigheten av kuttet og reduserer risikoen for at bladet skal sette seg fast.
7. **Det må alltid brukes blader med riktig størrelse og form (diamant eller rund) på akselhullet.** Blader som ikke passer til monteringsmekanismen på sagen vil svive ute av senter og bli umulige å kontrollere.
8. **Bruk aldri mellomleggsskiver til bladet eller en bolt som er skadd eller ikke passer.** Mellomleggsskivene for bladet og boltene er spesielt utformet for sagen, for optimal ytelse og sikker drift.

Tilbakeslag oppstår og relaterte advarsler

- Tilbakeslag er en plutselig reaksjon på et klemt, fastsittende eller feiljustert sagblad, som kan føre til at en sag som ikke holdes godt fast blir løftet opp og ut av arbeidsstykket, og mot operatøren.

- Når bladet kommer i klem eller setter seg fast ved at snittet lukker seg, stopper bladet, og motoren driver enheten hurtig tilbake mot operatøren.
- Hvis bladet blir vridd eller feiljustert i snittet, vil tennene i bakkant av bladet grave seg inn i den øvre kanten av arbeidsemnet, slik at bladet arbeider seg ut av snittet og spretter tilbake mot operatøren.

Tilbakeslag er et resultat av feil bruk av sagen og/eller feilaktige arbeidsprosedyrer eller arbeidsforhold, og kan unngås hvis man tar de rette forholdsregler (se nedenfor).

1. **Hold sagen i et fast grep med begge hender, og hold armene dine slik at de kan motstå kraften fra sagen i tilfelle den slår tilbake mot deg. Posisjoner kroppen på den ene siden av bladet, men ikke på linje med det.** Tilbakeslag kan føre til at sagen hopper bakover. Tilbakeslagene kan imidlertid kontrolleres av brukeren, hvis brukeren tar de rette forholdsreglene.
2. **Når bladet setter seg fast, eller når du av en eller annen grunn vil avbryte sagingen, må du slippe startbryteren og holde sagen i ro i materialet inntil bladet har stoppet helt. Du må aldri forsøke å fjerne sagen fra arbeidsemnet eller å trekke den bakover mens bladet er i bevegelse, da dette kan få sagen til å slå tilbake.** Undersøk hvorfor bladet setter seg fast og sett i verk avhjelpende tiltak.
3. **Når du starter sagen i arbeidsstykket igjen, må du sentrere sagbladet i snittet slik at sagtennene ikke griper inn i materialet.** Hvis et sagblad sitter fast, kan det løfte seg opp eller føre til at sagen slår tilbake mot deg når den startes igjen.
4. **Støtt opp større plater for å redusere risikoen så mye som mulig for at bladet kommer i bekning, og for tilbakeslag.** Større plater har en tendens til å bøye seg under sin egen vekt. Støttene må plasseres under platen på begge sider, nær kappelinjen og nær kantene av platen.

► Fig.2

► Fig.3

5. **Ikke bruk sløve eller ødelagte blad.** Uskarpe eller feilaktig innstilte blad gir trangt snitt, noe som forårsaker kraftig friksjon, får bladet til å sette seg fast og resulterer i at sagen slår tilbake mot operatøren.
6. **Dette kan medføre tilbakeslag (kickback) som kan gi alvorlige personskader.** Bladdybden og låsehendene for avfasingsjusteringen må være strammet og festet før snittet gjøres.
7. **Vær ekstra forsiktig når du sager i eksisterende vegger eller andre områder uten innsyn.** Det fremstikkende bladet kan treffe gjenstander som kan forårsake tilbakeslag.
8. **Hold ALLTID maskinen fast med begge hender. Plasser ALDRI hånden, benet eller noen annen kroppsdelt under maskinfoten eller bak sagen, særlig når du sager på tvers.** Hvis det skjer et tilbakeslag, kan sagen lett komme til å hoppe bakover over hånden din og forårsake alvorlige helseskader.

► Fig.4

9. **Bruk aldri makt på sagen. Skyv sagen**

fremover med en slik hastighet at bladet skjærer uten å miste fart. Hvis du bruker makt på sagen, kan det gi ujevne snitt, uøyaktighet og muligheter for tilbakeslag.

Vernfunksjon

1. **Sjekk at vernet er riktig lukket før hver gangs bruk. Ikke begynn å bruke sagen hvis vernet ikke beveger seg fritt og lukker seg om bladet momentant. Klem eller bind aldri fast vernet slik at bladet blir eksponert.** Hvis sagen mistes ved et uhell, kan vernet bli bøyd. Kontroller at vernet beveger seg uhindret og ikke beveger bladet eller noen annen del, i alle snittvinkler og -dybder.
2. **Kontroller at fjæren på vernet virker som den skal. Hvis vernet og fjæren ikke fungerer som de skal, må de etterses før bruk.** Vernet kan gå tregt pga. ødelagte deler, gummiavløring eller opphopning av spon.
3. **Forsikre deg om at sagens fotplate ikke vil forskyve seg når du utfører dykksaging.** Bladforskyvning sideveis vil føre til at bladet setter seg fast og mulig tilbakeslag.
4. **Se alltid etter at vernet dekker bladet før du setter sagen på arbeidsbenken eller gulvet.** Et ubeskyttet, roterende blad vil få sagen til å bevege seg bakover mens bladet kapper alt som kommer i dets vei. Vær oppmerksom på at bladet trenger en viss tid for å stoppe etter at bryteren er sluppet.

Flere sikkerhetsadvarsler

1. **Vær ekstra forsiktig ved skjæring i fuktig tre, trykkbehandlet tømmer eller tømmer med kvister.** Unngå overoppheting av bladspissene ved å bevege bladet jevnt fremover uten reduksjon i bladhastigheten, og unngå å smelte plasten hvis du skjærer i plast.
2. **Ikke forsøk å fjerne kapp mens bladet er i bevegelse.** Vent til bladet stopper før du griper det materialet som er kappet. Bladene roterer fritt etter at maskinen er slått av.
3. **Unngå å skjære i spiker. Se etter og fjern all spiker fra arbeidsemnet før arbeidet påbegynnes.**
4. **Sett den bredeste delen av sagfoten på den delen av arbeidsemnet som er godt støttet opp, ikke på den delen som kommer til å falle av når snittet er fullført.** Hvis arbeidsemnet er kort eller lite, må det klemmes fast. **IKKE FORSØK Å HOLDE KORTE STYKKER MED HÅNDEN!**

► Fig.5

5. **Før du setter verktøyet ned etter å ha fullført et kutt, må du forvise deg om at vernet er lukket og at bladet har stoppet helt.**
 6. **Forsøk aldri å sage mens sirkelsagen holdes opp ned i en skrustikke.** Dette er ekstremt farlig og kan forårsake alvorlige ulykker.
- Fig.6
7. **Enkelte materialer inneholder kjemikalier som kan være giftige. Treff tiltak for å hindre hudkontakt og innånding av støv. Følg leverandørens sikkerhetsanvisninger.**
 8. **Ikke stopp bladene ved å presse sideveis på sagbladet.**
 9. **Ikke bruk slipeskiver.**

10. **Bruk bare sagbladet med diameter som er merket på verktøyet eller spesifisert i håndboken.** Bruk av et blad med feil størrelse kan påvirke riktig beskyttelse av bladet eller bruk av bladvernet, som kan resultere i alvorlig personskade.
11. **Hold bladet skarpt og rent.** Harpiks og bek som størkner på bladene reduserer turtallet på sagen og øker risikoen for tilbakeslag. Hold bladet rent ved først å ta det av verktøyet og deretter gjøre det rent med en harpiks- og bekfjerner, varmt vann eller parafin. Du må aldri bruke bensin.
12. **Bruk en støvmaske og hørselsvern når du bruker verktøyet.**
13. **Bruk alltid sagbladet som er beregnet på kutting av materialet som du skal kutte.**
14. **Bruk bare sagbladene som er merket med en hastighet som er lik eller høyere enn hastigheten som er merket på verktøyet.**
15. **(Kun land i Europa)**
Bruk alltid bladet som overholder EN847-1 ved skjæring av tre eller lignende materialer.

TA VARE PÅ DISSE INSTRUKSENE.

⚠ADVARSEL: IKKE LA hensynet til hva som er "behagelig" eller det faktum at du kjenner produktet godt (etter mange gangers bruk) gjøre deg mindre oppmerksom på sikkerhetsreglene for bruken av det aktuelle produktet. Ved MISBRUK eller hvis ikke sikkerhetsreglene i denne bruksanvisningen følges, kan det oppstå alvorlig personskade.

FUNKSJONSBE- SKRIVELSE

⚠FORSIKTIG:

- Forviss deg alltid om at maskinen er slått av og støpselet trukket ut av kontakten før du justerer maskinen eller kontrollerer dens mekaniske funksjoner.

Justere skjæredybden

► Fig.7: 1. Klemskrue 2. Nedre bladstopper

⚠FORSIKTIG:

- Når du har justert skjæredybden, må du alltid stramme klemskruen godt.

Løsne klemskruen på dybdeanlegget og beveg nedre bladstopper til den ønskede dybden på skalaplatten. Stram klemskruen godt ved ønsket skjæredybde. For renere og sikrere kutt, må du stille inn skjæredybden slik at ikke mer enn én sagtann stikker ut under arbeidsemnet. Hvis skjæredybden er riktig, reduseres risikoen for farlige TILBAKESLAG som kan forårsake helseskader.

MERK:

- Ved å stille inn nedre bladstopper til ønsket dybde på skalaplaten får du en omtrentlig skjæredybde. For å få en nøyaktig skjæredybde, må du måle hvor langt sagbladet faktisk stikker ut nedenfor maskinfoten.

Hurtigstoppknapp for 2 til 3 mm skjæredybde ved bruk av føringssskinne (tilbehør)

► **Fig.8:** 1. Hurtigstoppknapp

Denne maskinen har hurtigstoppknappen for 2 til 3 mm skjæredybde på girhuset, ved siden av det bakre håndtaket når føringssskinne er i bruk. Denne brukes når du vil unngå fliser på arbeidsemnet i snittet. Gjør først et snitt med 2 til 3 mm dybde, og sag deretter med normal dybde i det samme snittet.

For å oppnå en skjæredybde på 2 til 3 mm, må du skyve inn stoppknappen mot sagbladet. Dette er praktisk for å unngå å flise opp arbeidsemnet.

For å kunne sage med fritt valg av skjæredybde, trenger du bare trekke knappen tilbake.

► **Fig.9:** 1. Hurtigstoppknapp

Skråskjæring

► **Fig.10:** 1. Klemskruer 2. Maskinfot

Helling til høyre

► **Fig.11:** 1. Positiv stopper

Drei den positive stopperen så pilen på den peker mot en av to posisjoner (vertikalt for 22,5°, horisontalt for 45°). Løsne klemskruene foran og bak. Vipp deretter maskinfoten til den stopper, og sikre foten med klemskruene.

For å oppnå 48° skråskjæringsvinkel må du flytte hendedelen til 48°-markeringen, så langt den går. Drei den positive stopperen til pilen på den peker mot den horisontale posisjonen. Vipp deretter maskinfoten til den stopper, og sikre foten med klemskruene.

► **Fig.12:** 1. Spak

Helling til venstre

► **Fig.13:** 1. Justeringshendel for gjæringsvinkel

Maskinen kan vippes mot venstre 1° skråskjæringsvinkel. For å oppnå en skråskjæringsvinkel på 1°, må du løsne klemskruene foran og bak, vippe maskinhåndtaket litt mot høyre og skyve to hendler for endring av skråskjæringsvinkelen samtidig i retning av pilen med markeringen -1. Og vipp så maskinhåndtaket mot venstre samtidig som du skyver på disse to hendlene. Sikre foten med klemskruene.

MERK:

- Hvis du setter bladet tilbake i høyre vinkel, går hendedelen for vinkelendring tilbake til 0° av seg selv.

Sikting

► **Fig.14:** 1. Feste 2. Skjærelinje

Bruke maskinen uten føringssskinne (tilbehør)

Ved skjæring av rette linjer, må A-merket foran på foten rettes inn mot skjærelinjen på arbeidsemnet. For 45° skråskjæring må B-merket rettes inn mot skjærelinjen.

Bruke maskinen med føringssskinne (tilbehør)

Både ved skjæring av rette linjer og 45° skråskjæring må A-merket foran på foten alltid plasseres overrett med skjærelinjen på arbeidsemnet.

Bryterfunksjon

► **Fig.15:** 1. AV-sperreknapp 2. Startbryter

FORSIKTIG:

- Før du kobler maskinen til strømmettet, må du alltid kontrollere at startbryteren aktiverer maskinen på riktig måte og går tilbake til "AV"-stilling når den slippes.

For å unngå at startbryteren trykkes inn ved en feiltakelse, er sagen utstyrt med en AV-sperreknapp. For å starte maskinen, må du trykke inn AV-sperreknappen og dra i startbryteren. Slipp startbryteren for å stoppe verktøyet.

Turtallsinnstillingshjul

► **Fig.16:** 1. Hastighetsinnstillingshjul

Verktøyhastigheten kan justeres ved å dreie innstillingshjulet. Hastigheten øker når innstillingshjulet dreies i retning av nummer 6, og synker når hjulet dreies i retning av nummer 1.

Se tabellen for valg av riktig hastighet for arbeidsemnet som skal skjæres. Hastigheten kan imidlertid variere avhengig av tykkelsen på arbeidsemnet. Høyere hastigheter gjør det mulig å skjære raskere, men bladets levetid vil bli redusert.

Nummer	min ⁻¹
1	2 200
2	2 700
3	3 800
4	4 900
5	6 000
6	6 400

FORSIKTIG:

- Turtallsinnstillingshjulet kan kun dreies til 6 og så tilbake til 1. Ikke prøv å dreie det forbi 6 eller 1, ellers kan det hende at turtallsinnstillingen slutter å virke.
- Turtallsinnstillingshjulet er ikke ment for å bruke sagblader klassifisert for lav hastighet, men for å oppnå en hastighet som er egnet for arbeidsemnets materiale. Bruk bare sagblader som er klassifisert for minst den maksimale hastigheten uten belastning som er angitt i SPESIFIKASJONENE.

Verktøy som er utstyrt med elektroniske funksjoner er enkle å bruke på grunn av følgende egenskaper.

Overlastvern

Når maskinen er overbelastet og strømstyrken østiger et visst nivå, stopper maskinen automatisk for å beskytte motoren.

Konstant turtallskontroll

Elektronisk hastighetskontroll for konstant hastighet. Slik oppnår du god utførelse, fordi at rotasjons hastigheten holdes konstant selv under belastning.

Mykstartfunksjon

Myk start, fordi startrykket undertrykkes.

MONTERING

⚠FORSIKTIG:

- Forviss deg alltid om at maskinen er slått av og støpselet trukket ut av kontakten før du utfører noe arbeid på maskinen.

Oppbevare sekskantnøkkel

► **Fig.17:** 1. Sekskantnøkkel

Sekskantnøkkelen oppbevares på maskinen. For å ta av sekskantnøkkelen må du trekke den ut. For å sette sekskantnøkkelen inn igjen må du legge den på håndtaket og stikke den inn så langt den vil gå.

Demontere eller montere sagbladet

⚠FORSIKTIG:

- Ikke bruk sagblader som ikke samsvarer med karakteristikkene som er spesifisert i denne instruksjonsboken.
- Bruk bare sagblader som er klassifisert for minst den maksimale hastigheten uten belastning som er angitt i SPESIFIKASJONENE.
- Sørg for at bladet monteres med tennene pekende opp foran på verktøyet.
- Bruk bare Makita-nøkkelen til å montere eller fjerne bladet.

For å ta av bladet må du trykke inn AV-sperreknappen for å låse opp den øvre stopperen.

► **Fig.18:** 1. AV-sperreknapp 2. Låsehendel

Drei låsehendelen for å låse saghodet når du skal bytte blad.

► **Fig.19:** 1. Låsehendel

Når AV-sperreknappen er trykket og låsehendelen er dreid, må du senke håndtaket, så låsepinnen passer i sporet som er dannet av låsehendelen og dybdeføringen med skalaplatten. Pass på at låsepinnen passer i sporet.

Trykk spindellåsen helt inn, så bladet ikke kan rotere, og bruk nøkkelen til å løsne sekskantskruen mot klokken. Fjern så sekskantskruen, den ytre flensen og bladet.

► **Fig.20:** 1. Sekskantnøkkel 2. Spindellås

Monter bladet ved å følge fremgangsmåten for demontering i motsatt rekkefølge. PASS PÅ Å STRAMME SEKSKANTSKRUEEN FORSVARLIG MED KLOKKEN.

► **Fig.21:** 1. Sekskantskrue 2. Ytre flens 3. Sagblad 4. Indre flens

Rengjøring av bladvern

Når du skifter sirkelsagbladet, må du også sørge for å rengjøre bladvernet for oppsamlet sagflis som forklart i avsnittet Vedlikehold. Du må imidlertid fortsatt alltid kontrollere at bladvernet virker før du bruker verktøyet.

Koble til støvsuger

► **Fig.22:** 1. Støvsuger 2. Støvpport

Hvis du vil sage så rent som mulig, kan du koble en Makita-støvsuger til verktøyet ditt. Koble støvsugerslangen til støvtutløpet som vist på figuren.

BRUK

Seksjonsskjæring (vanlig saging)

⚠FORSIKTIG:

- Sørg for å bevege verktøyet pent fremover i en rett linje. Hvis du bruker makt på eller vrir verktøyet, vil motoren bli overopphetet og maskinen kan slå tilbake mot brukeren. Dette er farlig og kan gi alvorlige personskader.
- Du må aldri bevege noen kroppsdeler under maskinfoten under vanlig saging, særlig i begynnelsen. Dette kan medføre alvorlige helseskader. Bladet er eksponert under maskinfoten.

Hold godt fast i verktøyet. Verktøyet leveres med håndtak både foran og bak. Bruk begge for å få best mulig tak på verktøyet. Hvis du holder sagen med begge hender, risikerer du ikke at de blir skåret av bladet. Sett fronten av foten på arbeidsstykket som skal sages, uten at bladet kommer borti arbeidsstykket. Trykk deretter inn AV-sperreknappen og slå på verktøyet, og vent til bladet oppnår full hastighet. Trykk deretter saghodet sakte ned til den forhåndsinntilte skjæredybden, og beveg ganske enkelt verktøyet forover over overflaten på arbeidsstykket mens du holder det flatt og beveger det jevnt, inntil sagingen er fullført.

For å få rene kutt, må du sage i rett linje og med jevn hastighet. Hvis kuttet ikke følger skjærelinjen helt, må du ikke forsøke å dreie eller tvinge verktøyet tilbake til skjærelinjen. Hvis du gjør det, kan bladet sette seg fast og gi farlige tilbakeslag som kan føre til alvorlige skader. Slipp bryteren, vent til bladet stopper, og trekk tilbake verktøyet. Still inn verktøyet på en ny skjærelinje, og begynn sagingen på nytt. Prøv å unngå en plassering som utsetter operatøren for sprut av flis og sagmugg fra sagen. Bruk øyevern for å redusere faren for skader.

► **Fig.23**

Bruke føringsskinne (tilbehør)

► **Fig.24:** 1. Justeringsskruer

Plasser maskinen på den bakre enden av føringsskinnen. Drei to justeringsskruer på maskinfoten så maskinen glir jevnt uten å skrangle. Hold maskinen godt fast. Verktøyet leveres både med fremre og bakre håndtak. Bruk begge for å få best mulig tak på verktøyet. Slå på

maskinen, trykk den ned til den forhåndsinnstilte skjæredybden og skjær flisvernet langs hele lengden med én bevegelse. Kanten av flisvernet svarer til skjærekanten. Ved skråskjæring med føringsskinnen må du skyve skyvehendelen på maskinfoten, så maskinen ikke velter til siden.

► **Fig.25:** 1. Skyvehendel

Flytt skyvehendelen på maskinfoten i retning av pilen, så den går i inngrep med undersnittsporet i føringsskinnen.

Parallellanlegg (føringslinjal) (ekstrautstyr)

► **Fig.26:** 1. Parallellanlegg (føringslinjal)

Det praktiske parallellanlegget gjør det mulig å foreta ekstra nøyaktige rette kutt. Skyv ganske enkelt parallellanlegget tett opp til siden av arbeidsemnet og fest det med skruene foran og bak på foten. Med parallellanlegget kan du dessuten skjære gjentatte ganger med samme bredde.

Hvis du snur parallellanlegget (føringslinjalen), kan det også fungere som underfot for maskinen.

Innstikksaging (utskjæring)

► **Fig.27:** 1. Bakkant av maskinfot 2. Fast kant

⚠ ADVARSEL:

- For å unngå at bladet slår tilbake mot operatøren, må følgende instruksjoner følges.

Når maskinen brukes uten føringsskinne

Sett maskinen på arbeidsemnet med bakre kant av maskinfoten mot en fast kant eller tilsvarende som er laget av en operatør.

Når maskinen brukes med føringsskinne

Sett maskinen på føringsskinnen med bakre kant av maskinfoten mot en fast kant eller tilsvarende som er klemt fast på føringsskinnen.

Hold maskinen fast med en hånd på fronthåndtaket og den andre på maskinhåndtaket. Trykk deretter inn AV-sperreknappen og slå på maskinen, og vent til bladet oppnår full hastighet. Trykk så motordelen sakte ned til den forhåndsinnstilte skjæredybden og beveg ganske enkelt maskinen forover til den ønskede posisjonen for innstikksaging.

MERK:

- Markeringene på siden av bladvernet viser sagbladets fremre og bakre skjærepunkter (A for diameter 160 mm og B for diameter 165 mm) ved maksimal skjæredybde ved bruk av føringsskinnen.

► **Fig.28**

Føringsenhet (tilbehør)

Bruk av gjæringsmåler (tilbehør) gjør det mulig å foreta nøyaktige gjæringsnitt med vinkler og passende arbeider.

Bruk av klemme (tilbehør) sikrer at arbeidsemnet holdes godt fast mot bordet.

VEDLIKEHOLD

⚠ FORSIKTIG:

- Forviss deg alltid om at maskinen er slått av og støpselet trukket ut av kontakten før du foretar inspeksjon eller vedlikehold.
- **Rengjør vernet for å sikre at det ikke finnes oppsamlet sagspon som kan hindre betjening av vernesystemet.** Et skittent vernesystem kan begrense forsvarlig bruk og føre til alvorlig personskade. Den mest effektive måten å foreta denne rengjøringen på er ved bruk av trykkluft. **Bruk passende øye- og pustevern hvis støvet blåses ut av vernene.**
- Aldri bruk gasolin, bensin, tynner alkohol eller lignende. Det kan føre til misfarging, deformering eller sprekkdannelse.

Justere nøyaktigheten for 90° og 45°-kutt (vertikal og 45°-kutt)

Denne justeringen er gjort på fabrikken. Skulle den bli unøyaktig, justeres justeringsskruene med en sekskantnøkkel mens du bruker en trekantlinjal eller et vinkeljern til å kontrollere at bladet står i 90° eller 45° vinkel på foten.

► **Fig.29:** 1. Justeringsskrue for 90°

► **Fig.30:** 1. Justeringsskrue for 45°

MERK:

- Det er ikke mulig å justere nøyaktigheten av snitt med vinkler på 22,5°, 48° og -1°.

Skifte kullbørster

► **Fig.31:** 1. Utskiftingsmerke

Fjern og kontroller kullbørstene med jevne mellomrom. Skift dem når de er slitt ned til utskiftingsmerket. Hold kullbørstene rene og fri til å bevege seg i holderne. Begge kullbørstene må skiftes samtidig. Bruk bare identiske kullbørster.

► **Fig.32:** 1. Skrutrekker 2. Børsteholderhette

Bruk en skrutrekker til å fjerne børsteholderhettene. Ta ut de slittede kullbørstene, sett i nye, og fest børsteholderhettene.

For å opprettholde produktets SIKKERHET og PÅLITELIGHET, må reparasjoner, vedlikehold og justeringer utføres av Makitas autoriserte servicesentre, og det må alltid brukes reservedeler fra Makita.

VALGFRITT TILBEHØR

⚠️ FORSIKTIG:

- Det anbefales at du bruker dette tilbehøret eller verktøyet sammen med den Makita-maskinen som er spesifisert i denne håndboken. Bruk av annet tilbehør eller verktøy kan forårsake helseskader. Tilbehør og verktøy må kun brukes til det formålet det er beregnet på.

Ta kontakt med ditt lokale Makita-servicesenter hvis du trenger mer informasjon om dette tilbehøret.

- Sagblad
- Føringssskinne
- Parallellanlegg (føringslinjal)
- Gjæringsmåler
- Klemme
- Sekskantnøkkel
- Platesett for føringssskinne
- Gummiplatesett for føringssskinne
- Plasser platesett for føringssskinne

MERK:

- Enkelte elementer i listen kan være inkludert som standardtilbehør i verktøypakken. Elementene kan variere fra land til land.

TEKNISET TIEDOT

Malli	SP6000		
Terän läpimitta	165 mm		
Maks. leikkaussyvyys	90° kulmassa	56 mm	
	45° kulmassa	40 mm	
	48° kulmassa	38 mm	
Nopeus kuormittamattomana (min ⁻¹)	2 200 - 6 400		
Kokonaispituus	341 mm		
Nettopaino	4,1 kg		
Turvaluokitus	□/II		

- Jatkuvasta tutkimus- ja kehitystyöstämme johtuen esitetyt tekniset tiedot saattavat muuttua ilman erillistä ilmoitusta.
- Tekniset tiedot voivat vaihdella maittain.
- Paino voi olla erilainen lisävarusteista johtuen. EPTA-menettelytavan 01/2014 mukaisesti, taulukossa on kuvattu kevyin ja painavin laiteyhdistelmä.

Käyttötarkoitus

Laitte on erityisesti tarkoitettu umpisahauksiin. Laitte on myös tarkoitettu puun halkaisu- ja katkaisusahaukseen. Jos laite on varustettu sopivalla pyörösahanterällä, sitä voidaan käyttää alumiinilevyjen, muovilevyjen, ulkovoorauslevyjen ja metalliseinäpaneelin sahaukseen.

Virtälähde

Laitteen saa kytkeä vain sellaiseen virtalähteeseen, jonka jännite on sama kuin arvokilvessä ilmoitettu, ja sitä saa käyttää ainoastaan yksivaiheisella vaihtovirralla. Laitte on kaksinkertaisesti suojaeristetty, ja se voidaan siten kytkeä myös maadoittamattomaan pistorasiaan.

Melutaso

Tyypillinen A-painotettu melutaso määräytyy EN62841-2-5-standardin mukaan:

Äänenpainetaso (L_{pA}): 95 dB (A)

Äänitehotaso (L_{WA}): 103 dB (A)

Virhemarginaali (K): 3 dB (A)

HUOMAA: Ilmoitetut melutasoarvot on mitattu standarditestausten mukaisesti ja niiden avulla voidaan vertailla työkaluja keskenään.

HUOMAA: Ilmoitettuja melutasoarvoja voidaan käyttää myös altistumisen alustavaan arviointiin.

VAROITUS: Käytä kuulosuojaimia.

VAROITUS: Sähkötyökalun käytön aikana mitattu melutasoarvo voi poiketa ilmoitetuista arvoista laitteen käyttötavan ja erityisesti käsiteltävän työkalun mukaan.

VAROITUS: Selvitä käyttäjän suojaamiseksi tarvittavat varoimet todellisissa käyttöolosuhteissa tapahtuvan arvioidun altistumisen mukaisesti (ottaen huomioon käyttöjakso kokonaisuudessaan, myös jaksot, joiden aikana laite on sammutettuna tai käy tyhjäkäynnillä).

Tärinä

Värähtelyn kokonaisarvo (kolmiakselivektorin summa) on määritetty EN62841-2-5 mukaan:

Työtila : puun sahaaminen

Tärinäpäästö ($a_{h,w}$): 2,5 m/s² tai vähemmän

Virhemarginaali (K): 1,5 m/s²

Työmenetelmä: metallin sahaaminen

Tärinäpäästö ($a_{h,w}$): 2,5 m/s² tai vähemmän

Virhemarginaali (K): 1,5 m/s²

HUOMAA: Ilmoitetut kokonaistärinäarvot on mitattu standarditestausten mukaisesti ja niiden avulla voidaan vertailla työkaluja keskenään.

HUOMAA: Ilmoitettuja kokonaistärinäarvoja voidaan käyttää myös altistumisen alustavaan arviointiin.

VAROITUS: Sähkötyökalun käytön aikana mitattu todellinen tärinäpäästöarvo voi poiketa ilmoitetuista arvoista laitteen käyttötavan ja erityisesti käsiteltävän työkalun mukaan.

VAROITUS: Selvitä käyttäjän suojaamiseksi tarvittavat varoimet todellisissa käyttöolosuhteissa tapahtuvan arvioidun altistumisen mukaisesti (ottaen huomioon käyttöjakso kokonaisuudessaan, myös jaksot, joiden aikana laite on sammutettuna tai käy tyhjäkäynnillä).

Vaatimustenmukaisuusvaatimukset

Koskee vain Euroopan maita

Vaatimustenmukaisuusvakuutukset on liitetty tähän käyttöoppaaseen liitteeksi A.

Sähkötyökalujen käyttöä koskevat yleiset varoitukset

VAROITUS Tutustu kaikkiin tämän sähkötyökalun mukana toimitettuihin turvavaroituksiin, ohjeisiin, kuviin ja teknisiin tietoihin. Seuraavassa esitettyjen ohjeiden noudattamatta jättäminen voi aiheuttaa sähköiskun, tulipalon ja/tai vakavan vamman.

Säilytä varoitukset ja ohjeet tulevaa käyttöä varten.

Varoituksissa käytettävällä termillä "sähkötyökalu" tarkoitetaan joko verkkovirtaa käyttävää (johdollista) työkalua tai akkukäyttöistä (johdotonta) työkalua.

Pyörösahan turvavaroitukset

Sahausohjeet

- VAARA:** Pidä kädet loitolla sahauslinjalta ja terästä. Pidä toista kättä apukahvalla tai moottorin kotelon päällä. Jos pidät kiinni sahasta molemmin käsin, terä ei voi vahingoittaa käsiä.
 - Älä korota työkappaleen alapuolelle.** Suojus ei suojaa terältä työkappaleen alapuolella.
 - Säädä leikkaussyvyys työkappaleen paksuuden mukaan.** Pienempi osa kuin terän täysi hammas tulee olla näkyvillä työkappaleen alapuolella.
 - Älä koskaan pidä työkappaletta käsissäsi tai jalkojesi välissä leikkaamisen aikana. Kiinnitä työkappale tukevaan jalustaan.** On tärkeää, että työkappale tuetaan luotettavasti loukkaantumisriskin, terän juuttumisen ja laitteen hallinnan menettämisen välttämiseksi.
- **Kuva1**
- Pidä sähkötyökalusta kiinni sen eristetyistä tartuntapinnoista suoritettaessa toimintoja, missä terä voi osua piilossa oleviin johtoihin tai työkalun omaan virtajohtoon.** Jos sähkötyökalun metalliosa joutuu kosketukseen jännitteellisen virtajohdon kanssa, työkalun sähköä johtavat metalliosat voivat aiheuttaa käyttäjälle sähköiskun.
 - Käytä halkaisuun aina halkaisu- tai sivuohjainta.** Se parantaa sahaustarkkuutta ja vähentää terän juuttumista.
 - Käytä aina oikeankokoisia ja -muotoisia teriä (timantti vs. pyöreä).** Terät, jotka eivät sovi työkalun kiinnityslaitteisiin, pyörivät epäkeskeisesti ja aiheuttavat sahan ohjauksen menetyksen.
 - Älä koskaan käytä viallisia tai vääriä terän aluslevyjä tai pultteja.** Terän aluslaatat ja pultit on suunniteltu erityisesti tälle sahalle ja takaavat parhaan suorituskyvyn ja turvallisuuden.

Takapotku ja siihen liittyvät varoitukset

- takapotku on äkillinen reaktio, jonka aiheuttaa kiinni juuttunut, vääntynyt tai vääriin kohdistettu terä, joka saa sahan hypähtämään irti työkappaleesta käyttäjää kohti;
 - jos terä juuttuu tai jumittuu tiukkaan sahausuraan, terä pysähtyy ja moottorin suojaus kääntää sen pyörimissuunnan nopeasti taaksepäin käyttäjää kohti;
 - jos terä vääntyy tai sen kohdistus muuttuu saha-essa, terän takaosan hampaat voivat pureutua puun pintakerrokseen, jolloin terä nousee ylös urasta ja saha ponnahtaa käyttäjään kohti.
- Takapotku johtuu sahan virheellisestä käytöstä ja/tai vääristä käyttöolosuhteista. Takapotku voidaan välttää noudattamalla seuraavia varoituksia.

- Ota sahasta tukeva otte molemmin käsin ja pidä käsiä sellaisessa asennossa, että voit ottaa vastaan mahdollisen takapotkun aiheuttamat**

voimat. Sijoita vartalo jommallekummalle puolelle terää, mutta ei terän suuntaisesti. Takapotku voi aiheuttaa sahan ponnahtamisen taaksepäin, mutta käyttäjä voi hallita sen voimat, jos takapotkuun varaudutaan asianmukaisin varotoimin.

- Jos terä jumittaa tai jos keskeytät leikkaamisen jostakin muusta syystä, vapauta liipaisin-kytkin ja pidä saha paikoillaan työkappaleessa, kunnes terä on täysin pysähtynyt. Älä koskaan yritä poistaa sahaa työkappaleesta tai vetää sahaa taaksepäin, kun terä liikkuu tai seurauksena voi olla takapotku.** Tutki ja korjaa mahdolliset syyt, jotka aiheuttavat terän jumittumisen.
- Kun saha käynnistetään uudelleen työkappaleessa, keskitä sahanterä sahausuraan ja tarkista, että sahan hampaat eivät ole kiinni materiaalissa.** Jos terä on jumissa, se saattaa hypähtää työkappaleesta tai aiheuttaa takapotkun käynnistettäessä sahau uudelleen.
- Tue suuria paneeleja, jotta minimoit terien jumittumisen ja takapotkujen riskin.** Suurilla paneeleilla on tapana taipua oman painonsa vaikutuksesta. Levy on tuettava molemmilta puolilta sahauslinjan vierestä ja reunoilta.

► Kuva2

► Kuva3

- Älä käytä tylsiä tai voittuneita teriä.** Tylsät tai vääriin asetetut terät tekevät kapean sahausuran, josta on seurauksena ylimääräistä kitkaa, terän taipuminen ja takapotku.
- Terän syvyys ja viisteen säädön lukitusvivut on oltava tiukalla ennen leikkauksen suoritusta.** Jos terän asetus siirtyy leikkauksen aikana, seurauksena voi olla terän jumittuminen ja takapotku.
- Ole erityisen varovainen, kun sahaat umpinaisia seinäpintoja tai jos et muuten näe sahatavaa kohdetta.** Läpitukenutuva terä voi leikata kohteita, jotka saattavat aiheuttaa takapotkun.
- PIDÄ AINA koneesta tukevasti molemmin käsin. ÄLÄ KOSKAAN pidä kättä, jalkaa tai muuta ruumiinosaa työkalun pohjan alapuolelle tai sahan taakse, varsinkaan katkaisussa.** Jos saha potkaisee taakse, se voi helposti ponnahtaa käsille ja aiheuttaa vakavia vammoja.

► Kuva4

- Älä koskaan sahaa väkisin. Työnnä sahau eteenpäin sellaisella nopeudella, että terä leikkaa hidastumatta.** Sahan pakottaminen voi aiheuttaa epätasaisista leikkauksijälkeä, tarkkuuden vähenemistä ja mahdollisesti takapotkun.

Suojuksen toiminta

- Varmista suojuksen sulkeutuminen ennen jokaista käyttökertaa. Älä käytä sahau, jos terän suojuus ei liiku vapaasti ja sulkeudu heti. Älä koskaan sido tai kiinnitä suojusta asentoon, jossa terä on suojaamaton.** Jos saha putoaa vahingossa, suojuus voi taittua. Varmista, että suojuus liikkuu vapaasti eikä kosketa terää tai muita osia missään sahauskulmassa tai -syvytydessä.
- Tarkista suojuksen palautusjousten toiminta ja kunto. Jos suojuus ja jousi eivät toimi oikein, ne**

tulee huoltaa ennen käyttöä. Suojus saattaa toimia hitaasti johtuen voittuneista osista, tahmeasta karstasta tai jäännösten kasautumisesta.

3. Varmista, että sahan pohjalevy ei liiku upotussahaamisen aikana. Terän liikkuminen sivusuunnassa aiheuttaa takertelua ja mahdollisen takapotkun.
4. Huomioi aina, että suojus peittää terän ennen kuin asetat sahan penkille tai lattialle. Suojaamaton ja vapaasti liikkuva terä voi aiheuttaa sahan siirtymisen taaksepäin leikatun mitän eteen tulee. Ota huomioon se aika, jonka terän pysähtyminen sahan sammuttamisen jälkeen vaatii.

Turvallisuutta koskevia lisävaroituksia

1. Ole erityisen varovainen, jos sahaat kosteaa, painekyllästettyä tai oksaista puuta. Vältä teräkärkien ylikuumenemista säätämällä terän nopeus sellaiseksi, että sahaus etenee sujuvasti terän nopeuden hidastumatta. Vältä myös muovin sulamista muovien sahausken aikana.
2. Älä yritä poistaa leikattua materiaalia, kun terä on vielä liikkeessä. Odota, kunnes terä pysähtyy, ennen kuin tartut sahattuun kappaleeseen. Terä pyörii vielä jonkin aikaa sen jälkeen, kun saha on sammutettu.
3. Vältä nauhojen sahaamista. Tarkista puutavara ja poista kaikki naulat ennen sahausta.
4. Aseta sahan alustan leveämpi puoli työkapaleen tuetun osan päälle, älä sahattaessa irtoavan osan päälle. Jos työkappale on lyhyt tai pieni, kiinnitä se ruuvipenkkiin. **ÄLÄ YRITÄ PITÄÄ LYHYTTÄ TYÖKAPPALETTA PAIKOILLAAN KÄSIN!**

► Kuva5

5. Ennen sahan laskemista käsistäsi, varmista, että suojus on sulkeutunut ja terä on täysin pysähtynyt.
6. Älä koskaan yritä leikata sirkkelillä, joka on ylösalaisin viilapenkillä. Tämä on erittäin vaarallista ja voi johtaa vakaviin vammoihin.
- Kuva6
7. Jotkin materiaalit sisältävät kemikaaleja, jotka voivat olla myrkyllisiä. Huolehdi siitä, että pölyn sisäänhengittäminen ja ihokosketus estetään. Noudata materiaalin toimittajan turvaohjeita.
8. Älä pysäytä terää painamalla sivusta sahanterää.
9. Älä käytä minkäänlaisia hiomalaikkoja.
10. Käytä vain sahanterää, joiden halkaisija on sama kuin työkaluun merkitty tai ohjekirjassa mainittu. Vääränkokoisien terän käyttäminen voi vaikuttaa terän suojaukseen tai itse terän toimivuuteen ja aiheuttaa vakavia vammoja.
11. Pidä terät terävinä ja puhtaina. Terään kovuutunut pihka hidastaa sahaamista ja lisää takapotkun vaaraa. Pidä terä puhtaana irrottamalla se sahausta ja puhdistamalla pihkanpoistoaineella, kuumalla vedellä tai petrolilla. Älä käytä koskaan puhdistukseen bensiiniä.
12. Käytä työkalua käyttäessäsi hengitys- ja kuulosuojaimia.
13. Käytä aina sahattavalle materiaalille tarkoitettua

sahanterää.

14. Käytä vain sahanterää, joiden merkitty nopeus on vähintään yhtä suuri tai suurempi kuin työkaluun merkitty nopeus.
15. (Ainoastaan Euroopan maat)
Käytä aina standardin EN847-1 mukaisia sahanterää, jotka on tarkoitettu puulle ja vastaaville materiaaleille.

SÄILYTÄ NÄMÄ OHJEET.

VAROITUS: ÄLÄ anna työkalun helppokäyttöisyyden (toistuvan käytön aikaansaama) johtaa sinua vääriin turvallisuuden tunteeseen niin, että laiminlyöt työkalun turvaohjeiden noudattamisen. **VÄÄRINKÄYTTÖ** tai täräsa käyttööhejsa ilmoitettujen turvamääräysten laiminlyönti voi aiheuttaa vakavia henkilövahinkoja.

TOIMINTOJEN KUVAUS

► HUOMIO:

- Varmista aina ennen koneen säätöjen ja toiminnallisten tarkistusten tekemistä, että kone on sammutettu ja irrotettu pistorasiasta.

Leikkaussyvyyden säätäminen

► Kuva7: 1. Kiristysruuvi 2. Terän alemman rajan rajoitin

► HUOMIO:

- Kiristä kiristysruuvi aina leikkaussyvyyden säätämisen jälkeen.

Löysää syvyyttulkiri kiristysruuvia ja siirrä terän alarajoihin haluttuun syvyyteen asteikkolevyllä. Muista kiristää kiristysruuvi aina sahausussyvyyden säätämisen jälkeen.

Aseta syvyys niin, että vain yksi terän hammas ulottuu työkapaleen alapinnan ulkopuolelle, jolloin leikkaukselta tulee siisti ja itse leikkaus on turvallisempaa. Oikea leikkaussyvyys vähentää vammutumisriskin aiheuttavaa TAKAPOTKUN vaaraa.

HUOMAA:

- Terän alarajoittimen säätäminen haluttuun syvyyteen asteikkolevyllä mahdollistaa sahausussyvyyden korkean arvioinnin. Sahaussyvyys voidaan määrittää tarkasti mittaamalla miten pitkälle työkalun pohjan alapuolelle terä ulottuu.

Pikarajoin 2 - 3 mm sahausussyvyyksille ohjainkiskoa (lisävaruste) käytettäessä

► Kuva8: 1. Pikarajoiitin

Työkalun vaihteistokotelossa on 2 - 3 mm sahausussyvyyksille pikarajoiitin, jota voidaan käyttää yhdessä ohjainkiskon kanssa. Näin voidaan estää säleiden irtoaminen työkapaleesta. Sahaa ensin 2 - 3 millimetrin syvyinen ura ja sen jälkeen vedä uudestaan normaalisyyvytydellä.

Saavutat 2 - 3 millin rajoittimen työntämällä painiketta terää kohti. Tämä estää työkappaleen halkeilun ja lohkeilun.

Rajoitin vapautetaan normaalisahausta varten vetämällä painiketta taakse.

► **Kuva9:** 1. Pikarajoitin

Viisteitysleikkaus

► **Kuva10:** 1. Kiristysruuvit 2. Työkalun pohja

Kallistaminen oikealle

► **Kuva11:** 1. Pysäytin

Käännä rajoitinta niin, että nuoli osoittaa toiseen kahdesta asennosta (pystysuunta 22,5°, vaakasuunta 45°). Löysää etu- ja takaosan kiristysruuveja. Kallista sitten työkalun pohjaa rajoittimeen asti ja kiristä ruuvit. 48°:n viistekulmaa varten siirrä vipua 48°-merkinnän kohdalle pohjaan asti. Käännä rajoitin niin, että sen nuoli osoittaa vaaka-asentoon. Kallista sitten työkalun pohjaa rajoittimeen asti ja kiristä ruuvit.

► **Kuva12:** 1. Vipu

Kallistaminen vasemmalle

► **Kuva13:** 1. Viistekulman säätövipu

Työkalua voidaan kallistaa vasemmalle 1°:n viistekulmaan. 1°:n viistekulmaa varten löysää etu- ja takaosan kiristysruuveja, käännä työkalua hieman oikealle ja työnnä viistekulman molempia säätövipuja samaan aikaan nuolen suuntaan -1 -merkinnän kohdalle. Kallista työkalun kahvaa sitten vasemmalle samalla, kun painat näitä kahta vipua yhtäaikaan. Varmista asetus kiristysruuveilla.

HUOMAA:

- Kun terä käännetään suoraan kulmaan, säätövipu palaa itsestään 0°-asentoon.

Tähtäys

► **Kuva14:** 1. Pohja 2. Sahauslinja

Kun työkalua käytetään ilman ohjainkiskoa (lisävaruste)

Kun haluat leikata suoraan, kohdistu pohjan etuosan piste A leikkauslinjaan. Kun haluat tehdä 45° viisteitysleikkauksia, kohdistu piste B leikkauslinjaan.

Kun työkalua käytetään ohjainkiskon (lisävaruste) kanssa

Kun haluat sahata suoraan tai tehdä 45°:n viisteitä, kohdistu pohjan etuosan piste A sahauslinjaan.

Kytkimen käyttäminen

► **Kuva15:** 1. Lukituksen vapautuskytkin
2. Liipaisinkytkin

▲HUOMIO:

- Tarkista aina ennen työkalun liittämistä virtalähteeseen, että liipaisinkytkin kytkeytyy oikein ja palaa asentoon OFF, kun se vapautetaan.

Laitteessa on lukituksen vapautuspainike, joka estää liipaisinkytkimen painamisen vahingossa. Käynnistä työkalu työntämällä lukitusnappi sisään ja painamalla liipaisinkytkimestä. Laite pysäytetään vapauttamalla liipaisinkytkin.

Nopeudensäätöpyörä

► **Kuva16:** 1. Nopeudensäätöpyörä

Työkalun nopeutta voidaan säätää kiertämällä säätöpyörää. Nopeus suurenee, kun pyörää käännetään kohti numeroa 6, ja pienenee, kun sitä käännetään kohti numeroa 1.

Katso taulukkoa leikattavan työkappaleen oikean leikkauksenopeuden valintaan. Oikea nopeus saattaa kuitenkin erota työkappaleen paksuuustyypin mukaan. Yleensä korkeammat nopeudet sallivat sinun leikkaavan työkalupaleita nopeammin, mutta terän palveluaika lyhenee.

Luku	min ⁻¹
1	2 200
2	2 700
3	3 800
4	4 900
5	6 000
6	6 400

▲HUOMIO:

- Nopeudensäätöpyörää voi kääntää vain asentoon 6 ja asentoon 1 saakka. Älä pakota sitä asennon 6 tai 1 ohi, koska nopeudensäätötoiminto saattaa lakata toimimasta.
- Nopeudensäätöpyörää ei ole tarkoitettu hitaalla nopeudella tapahtuvassa sahauskassa käytettäviä sahanteriä varten, vaan sen avulla valitaan sopiva pyörimisnopeus sahattavan materiaalin mukaan. Käytä vain sahanteriä, joiden nimelisinopeus on vähintään sama kuin TEKNISET TIEDOT -kohdassa mainittu suurin sallittu nopeus kuormittamattomana.

Sähköisiä toimintoja sisältäviä työkaluja on helppo käyttää seuraavien ominaisuuksien ansiosta.

Ylikuormitussuoja

Jos saha ylikuormittuu tai virta nousee tietyn rajan yläpuolelle, laite pysähtyy automaattisesti moottorivaurioiden välttämiseksi.

Vakionopeuden säätö

Sähköinen nopeudensäätö vakionopeuden saavuttamiseksi. Kauniin viimeistelyn saavuttaminen on mahdollista, koska pyörimisnopeutta pidetään vakiona jopa kuormituksen alla.

Pehmeä käynnistys

Pehmeä käynnistys, kytkettäessä virta kone käynnistyy hitaasti.

KOKOONPANO

⚠️HUOMIO:

- Varmista aina ennen koneelle tehtäviä toimenpiteitä, että kone on sammutettu ja irrotettu pistorasiasta.

Kuusioavaimen varastointi

► Kuva17: 1. Kuusioavain

Kuusioavainta säilytetään työkalussa. Avain irrotetaan vetämällä se ulos.

Laita se takaisin paikoilleen työntämällä se kahvaan pohjaan asti.

Sahanterän irrotus ja kiinnitys

⚠️HUOMIO:

- Älä käytä sellaista sahanterää, joka ei mukaudu ohjeissa määrättyihin ominaisuuksiin.
- Käytä vain sahanteriä, joiden nimellisnopeus on vähintään sama kuin TEKNISET TIEDOT -kohdassa mainittu suurin sallittu nopeus kuormittamattomana.
- Varmista, että terä on asennettu siten, että hampaat sahan etuosassa osoittavat yölspäin.
- Käytän terän irrottamiseen ja kiinnittämiseen vain Makitan kiintoavainta.

Irrota terä työntämällä lukitusnappi sisään, jolloin ylärajoitin vapautuu.

► Kuva18: 1. Lukituksen vapautuskytkin 2. Lukitusvipu

Lukitse sahan pää terän vaihtoa varten kääntämällä vipua.

► Kuva19: 1. Lukitusvipu

Pidä lukitusnappi on alhaalla ja käännä lukitusvipua, laske kahvaa alas niin, että lukkotappi osuu lukitusvipuun ja asteikkolevyllä varustetun syvyytulkin muodostamaan uraan. Varmista, että lukkotappi menee uraan. Paina akselilukkoa niin, että terä ei pääse pyörimään ja löysää kuusiopultti avaimella kiertämällä vastapäivään. Irrota sitten kuusiopultti, ulkolaippa ja terä.

► Kuva20: 1. Kuusioavain 2. Karalukitus

Terä kiinnitetään päinvastaisessa järjestyksessä. MUISTA KIRISTÄÄ KUUSIOPULTTIA TIUKASTI MYÖTÄPÄIVÄÄN.

► Kuva21: 1. Kuusiopultti 2. Ulkolaippa 3. Sahanterä 4. Sisälaippa

Teräsuojuksen puhdistus

Vaihdettaessa pyörösahanterää, varmista, että puhdistat myös teräsuojaan kerääntyneen sahanpurun Huolto-kappaleen ohjeiden mukaisesti. Näistä toimenpiteistä huolimatta tarkista aina suojuksen toiminta ennen jokaista käyttökertaa.

Pölynimurin kytkeminen

► Kuva22: 1. Pölynimuri 2. Pölyaukko

Jos haluat tehdä sahaustyön siististi, kytke sahaan Makita-pölynimuri. Liitä pölynimurin letku

pölynpoistoaukkoon kuvan osoittamalla tavalla.

TYÖSKENTELY

Jaksoleikkaus (tavanomainen sahaus)

⚠️HUOMIO:

- Työnnä sahaa kevyesti suoraan eteenpäin. Sahan pakottaminen tai vääntäminen johtaa moottorin ylikuumentumiseen ja voi aiheuttaa vaarallisen takapotkun ja vakavia vammoja.
- Älä koskaan pidä mitään jäseniä työkalun pohjan alapuolella varsinkaan sahauskuksen alkuvaiheessa. Seurauksena voi olla vakavia vammoja. Terä on pohjan alapuolella paljaana ilman mitään suojaa.

Ota laitteesta luja ote. Laitteesta on sekä etu- että takakahva. Pidä laitteesta kiinni molemmista kahvoista. Jos pidät laitteesta kiinni molemmin käsin, et voi loukata käsiäsi terään. Aseta alustan etuosa sahattavan työkalun päälle ilman, että terä koskettaa työkalupäälle. Paina sitten lukituksen vapautuspainiketta, käynnistä laite ja odota, kunnes terä pyörii täydellä nopeudella. Paina nyt sahapäätä hitaasti alas etukäteen asetettuun leikkuvyyteen ja siirrä laitetta eteenpäin työkalupäälle pinnalla vaakatasossa ja edeten tasaisesti, kunnes sahaus on valmis.

Siistin sahaustuloksen varmistamiseksi pidä sahauslinjasi suorana ja leikkunopeutesi tasaisena. Jos sahaus menee vinoon, älä yritä vääntää tai pakottaa laitetta oikeaan sahauslinjaan. Terä voi vääntyä ja aiheuttaa vaarallisen takapotkun ja mahdollisesti vammoja. Vapauta liipaisinkytkin, odota, kunnes terä pysähtyy ja nosta sen jälkeen laite pois. Kohdistu laite uuteen sahauslinjaan ja aloita uudestaan. Yritä asettaa seläläiseen kohtaan, jossa et joudu alttiiksi sahasta lentäville lastuille ja pölyille. Käytä suojalaseja vammojen välttämiseksi.

► Kuva23

Kun käytetään ohjauksen (lisävaruste) kanssa

► Kuva24: 1. Adjusting screws

Aseta työkalu ohjainkiskon takapäähän. Kierrä työkalun pohjassa olevia säätöruuveja niin, että saha liikkuu tasaisesti rämisemättä. Ota sahasta luja ote. Laitteesta on sekä etu- että takakahva. Tartu sahaan molemmista. Käynnistä saha, paina se alas ennalta asetettuun sahausvyyteen ja sahaa säälösuojaan pituudelta yhdellä vedolla. Säälösuojaan reuna on sahausreunan kohdalla.

Jos sahaat viisteitä ohjainkiskon avulla, työnnä työkalun pohjassa olevaa liukuvipua niin, ettei saha pääse kaatumaan sivulle.

► Kuva25: 1. Liukuvipu

Siirrä työkalun pohjassa olevaan liukuvipua nuolen suuntaan niin, että se ottaa ohjainkiskon aluraan.

Repeämäohjain (ohjaustulkki) (lisävaruste)

► **Kuva26:** 1. Repeämäohjain (ohjaustulkki)

Kätevän halkaisuohjaimen (ohjaustulkin) avulla voit leikata tarkasti suorassa linjassa. Siirrä halkaisuohjain tiukasti kiinni työkappaleen reunaan ja kiristä se paikoilleen pohjan etu- ja takaosassa olevilla ruuveilla. Näin voit myös leikata useita saman levyisiä kappaleita. Kun käännät halkaisuohjaimen (ohjainkiskon) toisin päin, se toimii lisätukena.

Umpinaissahaus (Pois leikkaus)

► **Kuva27:** 1. Laitteen pohjan takareuna 2. Kiinteä rajoitin

VAROITUS:

- Noudata takapotkun estämiseksi seuraavia ohjeita.

Kun työkalua käytetään ilman ohjainkiskoa

Aseta saha työkappaleelle niin, että sen pohjan takareuna on vasten kiinteää rajoitinta tai vastaavaa estettä.

Kun työkalua käytetään ohjainkiskon kanssa

Aseta saha työkappaleelle niin, että sen pohjan takareuna on vasten kiinteää rajoitinta tai ohjainkiskoon kiinnitettyä vastaavaa estettä.

Pidä sahasta aina tukevasti toinen käsi etukahvassa ja toinen pääkahvassa. Työnnä sitten lukituksen vapautuspainike sisään, käynnistä saha ja odota, kunnes terä pyörii täydellä nopeudella. Paina sitten sahan pää hitaasti ennalta asetettuun sahausvyönteeseen ja työnnä sahaa eteenpäin haluttuun kohtaan asti.

HUOMAA:

- Teränsuojuksen sivussa olevat merkinnät osoittavat terän leikkuukohtaan edessä ja takana (A = terän halkaisija 160 mm ja B = 165 mm) suurimmalla sahausvyönteellä, kun käytetään ohjainkiskoa.

► **Kuva28**

Ohjainlaite (lisävaruste)

Jiirasteikon (lisävaruste) avulla voidaan tehdä jiirisa-hauksia eri kulmilla sovitustöitä varten. Varmista työkappaleen kiinnitys penkkiin kiristimellä (lisävaruste).

KUNNOSSAPITO

HUOMIO:

- Varmista aina ennen tarkastuksia ja huoltotöitä, että laite on kone on sammutettu ja irrotettu virtalähteestä.
- **Puhdista suojus ja varmista, ettei siihen ole kertynyt sahanpurua, joka voisi estää suojusjärjestelmän toiminnan.** Likainen suojusjärjestelmä ei ehkä toimi asianmukaisesti, jolloin seurauksena voi olla vakavia henkilövahinkoja. Tehokkain puhdistustapa on käyttää paineilmaa. **Jos puru poistetaan suojuksista paineilmaa käyttämällä, käytä tarkoitukseen soveltuvaa silmien- ja hengityssuojaimia.**
- Älä koskaan käytä bensiiniä, ohentimia, alkoholia tai tms. aineita. Muutoin pinta voi halkeilla tai sen värit ja muoto voivat muuttua.

Tarkkuussäätö 90° ja 45° (suora ja 45° viiste)

Kulmat on säädetty tehtaalla. Jos säädöt on kytketty pois, säädä kulmat säätöruuveilla käyttäen kuusioavainta ja tarkastamalle 90 ja 45 asteen kulmat kolmikulmaa tai kulmamittaa tms. käyttäen.

► **Kuva29:** 1. Säätöruuvi, 90°

► **Kuva30:** 1. Säätöruuvi, 45°

HUOMAA:

- Kulmia 22,5°, 48° ja -1° viistettä ei voi säätää.

Hiiliharjojen vaihtaminen

► **Kuva31:** 1. Rajamerkki

Irrota ja tarkista hiiliharjat säännöllisesti. Vaihda uusiin, kun ne ovat kuluneet rajamerkkiin saakka. Pidä hiiliharjat puhtaina ja vapaina liukumaan pitimissään. Molemmat hiiliharjat on vaihdettava samalla kertaa. Käytä vain keskenään samanlaisia hiiliharjoja.

► **Kuva32:** 1. Ruuvitalta 2. Harjanpitimen kansi

Irrota hiiliharjat kannet ruuvitaltalla. Poista kuluneet hiiliharjat, aseta uudet harjahiileet paikalleen ja kiinnitä hiiliharjojen kansi paikalleen. Koneen TURVALLISUUDEN ja LUOTETTAVUUDEN säilyttämiseksi korjaukset sekä muut huoltotoimet ja säädöt on jätettävä Makitan valtuuttaman huollon tehtäväksi käyttäen aina Makitan alkuperäisiä varaosia.

LISÄVARUSTEET

HUOMIO:

- Näitä lisävarusteita ja -laitteita suositellaan käytettäväksi tässä ohjekirjassa mainitun Makitan koneen kanssa. Minkä tahansa muun lisävarusteen tai -laitteen käyttäminen voi aiheuttaa loukkaantumisvaaran. Käytä lisävarusteita ja -laitteita vain niiden käyttötarkoituksen mukaisesti.

Jos tarvitset apua tai yksityiskohtaisempia tietoja seuraavista lisävarusteista, ota yhteys paikalliseen Makitan

huoltoon.

- Sahanterät
- Ohjainkisko
- Repeämäohjain (ohjaustulkki)
- Jiiristeikko
- Puristin
- Kuusioavain
- Ohjaukiskiskon jalusta-asetus
- Ohjaukiskiskon kumijalustan asetus
- Ohjaukiskiskon asemajalusta-asetus

HUOMAA:

- Jotkin luettelossa mainitut varusteet voivat sisältyä työkalun toimitukseen vakiovarusteina. Ne voivat vaihdella maittain.

SPECIFIKATIONER

Model	SP6000		
Klangediameter	165 mm		
Maks. skæredybde	ved 90°	56 mm	
	ved 45°	40 mm	
	ved 48°	38 mm	
Hastighed uden belastning (min ⁻¹)	2.200 - 6.400		
Samlet længde	341 mm		
Nettovægt	4,1 kg		
Sikkerhedsklasse	□/II		

- På grund af vores kontinuerlige forsknings- og udviklingsprogrammer kan hosstående specifikationer blive ændret uden varsel.
- Specifikationer kan variere fra land til land.
- Vægten kan være anderledes afhængigt af tilbehøret. Den letteste og tungeste kombination i henhold til EPTA-procedure 01/2014 er vist i tabellen.

Tilsigtet anvendelse

Maskinen er specielt beregnet til at udføre indstik. Maskinen er også beregnet til at save på langs og på tværs af åerne i træ. Hvis maskinen er udstyret med en ordentlig rundsavsklinge, kan maskinen bruges til aluminiumsplade, plastplade, beklædningsbræt og metalvægpaneler.

Strømforsyning

Maskinen må kun sluttes til en strømforsyning med den samme spænding som den, der fremgår af typeskiltet, og må kun anvendes på enkeltfaset vekselstrømforsyning. Den er dobbeltisoleret og kan derfor også tilsluttes netstik uden jordforbindelse.

Lyd

Det typiske A-vægtede støjniveau bestemt i overensstemmelse med EN62841-2-5:

- Lydtryksniveau (L_{pA}): 95 dB (A)
- Lyd effektiveau (L_{WA}): 103 dB (A)
- Usikkerhed (K): 3 dB (A)

BEMÆRK: De(n) angivne støjmissionsværdi(er) er målt i overensstemmelse med en standardtestmetode og kan anvendes til at sammenligne en maskine med en anden.

BEMÆRK: De(n) angivne støjmissionsværdi(er) kan også anvendes i en præliminær eksponeringsvurdering.

⚠ ADVARSEL: Bær høreværn.

⚠ ADVARSEL: Støjmissionen under den faktiske anvendelse af maskinen kan være forskellig fra de(n) angivne værdi(er), afhængigt af den måde hvorpå maskinen anvendes, især den type arbejdssemne der behandles.

⚠ ADVARSEL: Sørg for at identificere de sikkerhedsforskrifter til beskyttelse af operatøren, som er baseret på en vurdering af eksponering under de faktiske brugsforhold (med hensyntagen til alle dele i brugscyklussen, f.eks. de gange, hvor maskinen er slukket, og når den kører i tomgang i tilgift til afbyrdtiden).

Vibration

Vibrationens totalværdi (tre-aksial vektorsum) bestemt i overensstemmelse med EN62841-2-5:

- Arbejdstilstand : skæring i træ
- Vibrationsemission ($a_{h,v}$): 2,5 m/s² eller mindre
- Usikkerhed (K): 1,5 m/s²
- Arbejdstilstand: skæring i metal
- Vibrationsemission ($a_{h,m}$): 2,5 m/s² eller mindre
- Usikkerhed (K): 1,5 m/s²

BEMÆRK: De(n) angivne totalværdi(er) for vibration er målt i overensstemmelse med en standardtestmetode og kan anvendes til at sammenligne en maskine med en anden.

BEMÆRK: De(n) angivne totalværdi(er) for vibration kan også anvendes i en præliminær eksponeringsvurdering.

⚠ ADVARSEL: Vibrationsemissionen under den faktiske anvendelse af maskinen kan være forskellig fra de(n) angivne værdi(er), afhængigt af den måde hvorpå maskinen anvendes, især den type arbejdsemne der behandles.

⚠ ADVARSEL: Sørg for at identificere de sikkerhedsforskrifter til beskyttelse af operatøren, som er baseret på en vurdering af eksponering under de faktiske brugsforhold (med hensyntagen til alle dele i brugscyklussen, f.eks. de gange, hvor maskinen er slukket, og når den kører i tomgang i tilgift til afbrydertiden).

Overensstemmelseserklæringer

Kun for lande i Europa

Overensstemmelseserklæringerne er inkluderet i Bilag A i denne brugsanvisning.

Almindelige sikkerhedsregler for el-værktøj

⚠ ADVARSEL Læs alle sikkerhedsadvarsler, instruktioner, illustrationer og specifikationer, der følger med denne maskine. Hvis du ikke følger alle nedenstående instruktioner, kan det medføre elektrisk stød, brand og/eller alvorlig personskade.

Gem alle advarsler og instruktioner til fremtidig reference.

Ordet "el-værktøj" i advarslerne henviser til det netforsynede (netledning) el-værktøj eller batteriforsynede (akku) el-værktøj.

Sikkerhedsregler for rundsav

Fremgangsmåder for skæring

- 1. ⚠ FARE:** Hold hænderne på god afstand af skæreområdet og klingens. Hold den anden hånd på hjælpéhåndtaget eller motorhuset. Hvis De holder saven med begge hænder, kan klingens komme til at skære i dem.
- 2. Ræk ikke ned under arbejdsemnet.** Beskyttelses-skærmen kan ikke beskytte Dem mod klingens neden under arbejdsemnet.
- 3. Justér skæredybden efter tykkelsen af arbejdsemnet.** Mindre end en hel tand i klingetænderne bør være synlig under arbejdsemnet.
- 4. Hold aldrig arbejdsemnet i hænderne eller hen over benet, mens der skæres. Fastgør arbejdsemnet til en stabil platform.** Det er vigtigt at understøtte arbejdsemnet korrekt for at minimere risikoen for udsættelse af kroppen, binding af klingens eller tab af kontrollen.

► Fig.1

- 5. Hold maskinen i de isolerede håndtagsflader, når der udføres et arbejde, hvor den skærende maskine kan komme i kontakt med skjulte ledninger eller maskinens egen ledning.** Kontakt med en strømførende ledning vil bevirke, at synlige metaldele på maskinen også bliver strømførende, hvorved operatøren kan få elektrisk stød.
- 6. Ved kløvning skal der altid anvendes et**

parallelanslag eller en lige styreskinne. Dette vil forbedre nøjagtigheden af snittet og mindsker risikoen for, at klingens binder.

- 7. Brug altid klinger med akselhuller af den korrekte størrelse og form (kantede eller runde).** Klanger, der ikke svarer til savens monteringsdele, vil rotere skævt, så du mister kontrollen.
- 8. Anvend aldrig beskadigede eller forkerte spændeskiver og bolte til klingens.** Klingens spændeskiver og bolte er specielt fremstillede til Deres sav og til optimal ydelse og sikker anvendelse.

Årsager til tilbageslag og relaterede advarsler

- Tilbageslag er en pludselig reaktion på en fastklemt, fastsiddende eller forkert justeret savklinge, som kan medføre, at en ukontrolleret sav løftes opad og ud af arbejdsemnet i retning mod operatøren.
- Når klingens kommer i klemme eller sidder fast, fordi savsnittet lukkes sammen, stopper klingens, og motorreaktionen skubber apparatet hurtigt tilbage mod operatøren.
- hvis klingens bliver bøjet eller fejlljusteret i snittet, kan tænderne på bagkanten af klingens grave sig ind i træets øverste overflade, hvorved klingens kan smutte ud af savsnittet og springe tilbage i retning mod operatøren.

Tilbageslag skyldes forkert anvendelse af savens og/eller forkert fremgangsmåde for anvendelse eller forkerte forhold og kan undgås ved, at der træffes de rigtige forholdsregler som vist herunder.

- 1. Oprethold et fast greb med begge hænder på savens, og hold armene således, at tilbageslagskraften modvirkes. Stil Dem på siden af klingens, men ikke på linje med den.** Tilbageslag kan bevirke, at savens springer bagud, men tilbageslagskraften kan kontrolleres af operatøren, hvis denne træffer de fornødne forholdsregler.
- 2. Hvis klingens binder, eller hvis skæring af en eller anden årsag afbrydes, skal De slippe afbryderknappen og holde savens stille i materialet, indtil klingens er standstøt helt. Forsøg aldrig at fjerne savens fra arbejdsemnet eller at trække savens bagud, mens klingens er i bevægelse, da dette kan medføre tilbageslag.** Undersøg situationen, og træf afhjælpningsforanstaltninger for at eliminere årsagen til, at klingens binder.
- 3. Når savens startes igen i arbejdsemnet, skal du centrere savklingens i savsnittet, så savtænderne ikke sidder fast i emnet.** Hvis savklingens binder, kan den bevæge sig opad eller slå tilbage fra arbejdsemnet, når savens startes igen.
- 4. Anvend store støtteplader til at minimere risikoen for fastklemning af klingens og tilbageslag.** Store plader har tendens til at synke under deres egen vægt. Der skal anbringes støtter under pladerne i begge sider, i nærheden af skærelinjen og nær kanten af pladen.

► Fig.2

► Fig.3

- 5. Anvend ikke sløve eller beskadigede klanger.** Uskarpe eller forkert monterede klanger frembringer et snævert savsnit, som medfører kraftig

- friktion, binding af klingen og tilbageslag.
- Låsegrebene til klingedybde og skrånsnitindstilling skal være stramme og sikre, inden skæringen påbegyndes.** Hvis klingeindstillingen ændrer sig under skæringen, kan der opstå binding og tilbageslag.
 - Vær særlig forsigtig, når der saves ind i eksisterende vægge eller andre skjulte områder.** Savklingen, som stikker frem, kan komme til at skære i genstande, der kan medføre tilbageslag.
 - Hold ALTID fast i maskinen med begge hænder. Placér ALDRIG Deres hånd, ben eller nogen del af kroppen under maskinens grundplade eller bag ved saven, især når De foretager krydssnit.** Hvis der opstår tilbageslag, kan saven nemt springe bagud over Deres hånd, hvorved der kan ske alvorlig personskade.

► **Fig.4**

- Pres aldrig saven. Tryk saven fremad med en hastighed, så klingens skærer, uden at hastigheden sænkes.** Hvis De presser saven, kan der opstå uensartede skæringer, tab af præcision og muligt tilbageslag.

Beskyttelsesskærmens funktion

- Kontrollér, at beskyttelsesskærmen lukker korrekt inden hver brug. Anvend ikke saven, hvis beskyttelsesskærmen ikke bevæger sig frit og lukker med det samme. Beskyttelsesskærmen må aldrig fastspændes eller fastbindes, så klingens er blottet.** Hvis saven ved et uheld tabes, kan beskyttelsesskærmen blive bøjet. Se efter, at beskyttelsesskærmen bevæger sig frit og ikke kommer i berøring med klingens eller andre dele, i alle vinkler og dybder til skæring.
- Kontrollér skærmreturfjederens funktion og tilstand. Hvis skærmen og fjederen ikke fungerer korrekt, skal de serviceres inden brugen.** Beskyttelsesskærmen kan fungere trægt på grund af beskadigede dele, gummi aflejringer eller ansamling af affaldsstoffer.
- Kontroller, at savens grundplade ikke flytter sig, når der udføres et "indstik".** Hvis klingens flytter sig sidelæns, vil det medføre binding og sandsynligvis tilbageslag.
- Sørg altid for, at beskyttelsesskærmen dækker klingens, inden saven anbringes på bænk eller gulv.** En ubeskyttet roterende klinge vil bevirke, at saven bevæger sig bagud og skærer i alt, hvad der er i dens bane. Vær opmærksom på den tid, det tager for klingens at stoppe, efter at afbryderen er sluppet.

Supplerende sikkerhedsforskrifter

- Vær ekstra forsigtig ved skæring i fugtigt træ, trykbehandlet træ eller træ, der indeholder knaster.** Sørg for, at maskinens bevæger sig jævnt fremad, uden at klingehastigheden mindskes, for at undgå overophedning af klingspidserne og, hvis der skæres i plastik, for at undgå, at plastikken smelter.
- Forsøg ikke at fjerne afskåret materiale, mens klingen roterer. Vent, indtil klingens er standset, inden De fjerner afskåret materiale.** Klingens fortsætter med at rotere, efter at der er slukket for maskinen.

- Undgå at skære i søm. Se efter, om der er søm i tømmeret, og fjern alle søm, inden skæringen påbegyndes.**
- Anbring den bredeste del af savgrundpladen på den del af arbejdsområdet, som er solidt understøttet, ikke på den del, som vil falde af, når skæringen er fuldført.** Hvis arbejdsområdet er kort eller lille, skal det spændes fast. **FORSØG IKKE AT HOLDE KORTE ARBEJDSEMNER FAST MED HÅNDEN!**

► **Fig.5**

- Inden De lægger maskinen fra Dem efter at have fuldført en skæring, skal De sikre Dem, at beskyttelsesskærmen er lukket, og at klingens er standset fuldstændigt.**
- Forsøg aldrig at save med rundsaven holdt på hovedet i en skruetvinge. Dette er yderst farligt og kan føre til alvorlige ulykker.**

► **Fig.6**

- Noget materiale indeholder kemikalier, som kan være giftige. Vær påpasselig med ikke at indånde støv, og undgå hudkontakt. Følg fabrikkens sikkerhedsdata.**
- Stop ikke klingerne ved hjælp af lateralt tryk på savklingen.**
- Anvend ikke slibeskiver.**
- Anvend kun savklinger med den diameter, der er markeret på maskinen eller specificeret i manualen.** Brug af en klinge med en forkert størrelse kan hindre korrekt afskærmning af klingens eller beskyttelsesskærmens funktion, hvilket kan medføre alvorlig personskade.
- Hold altid klingen skarp og ren.** Gummi og træbeg, som er størket på klingens, gør savens langsommere og øger risikoen for tilbageslag. Hold altid klingens ren ved først at tage den af maskinen og derefter rengøre den med en gummi- og begfjerner, varmt vand eller petroleum. Anvend aldrig benzin.
- Bær altid støvmaske og høreværn, når De anvender maskinen.**
- Brug altid en savklinge, der er beregnet til at skære i det materiale, du skal skære i.**
- Brug kun savklinger, der er mærket med en hastighed svarende til eller større end hastigheden, der er angivet på maskinen.**
- (Kun for europæiske lande)**
Brug altid en klinge, der er i overensstemmelse med EN847-1, hvis den er beregnet til træ og lignende materialer.

GEM DISSE FORSKRIFTER.

⚠ ADVARSEL: LAD IKKE bekvemmelighed eller kendskab til produktet (opnået gennem gentagen brug) forhindre, at sikkerhedsforskrifterne for produktet nøje overholdes. MISBRUG eller forsømmelse af at følge de i denne brugsvejledning givne sikkerhedsforskrifter kan medføre alvorlig personskade.

FUNKTIONSBESKRIVELSE

⚠ FORSIGTIG:

- Sørg altid for, at maskinen er slukket og frakoblet, før du justerer eller kontrollerer funktionen på maskinen.

Justering af skæredybde

- **Fig.7:** 1. Spændeskruer 2. Stopper for nedre klingegrænse

⚠ FORSIGTIG:

- Når du har justeret skæredybden, skal du altid tilspænde spændeskruen forsvarligt.

Løsn spændeskruen på dybdeguiden, og flyt stopperen for nedre klingegrænse til den ønskede dybde på skalapladen. Ved den ønskede skæredybde tilspændes spændeskruen forsvarligt.

For renere og sikrere snit skal du indstille skæredybden, så ikke mere end en enkelt klingetand rager ud under arbejdsemnet. Brug af korrekt skæredybde hjælper med at reducere risikoen for farlige TILBAGESLAG, som kan forårsage personskade.

BEMÆRK:

- Indstilling af stopperen for nedre klingegrænse til den ønskede dybde på skalapladen giver mulighed for en grov skæredybde. For nøjagtig skæredybde skal du måle savklings faktiske fremspring under maskinens grundplade.

Hurtigstopknap til 2 til 3 mm skæredybde ved brug af styreskinne (tilbehør)

- **Fig.8:** 1. Hurtigstopknap

Denne maskine har hurtigstopknappen til 2 til 3 mm skæredybde på gearhuset ved siden af baghåndtaget, når du bruger styreskinne. Den bruges til at undgå splinter på arbejdsemnet i snittet. Foretag et arbejds- pas af det første snit på 2 til 3 mm, og foretag derefter endnu et arbejds- pas af det sædvanlige snit.

For at opnå skæredybden på 2 til 3 mm skal du trykke stopknappen ind mod savklingen. Dette er praktisk for at undgå splinter på arbejdsemnet.

For at frigøre skæredybden fra denne position til fri skæredybde skal du blot trække knappen tilbage.

- **Fig.9:** 1. Hurtigstopknap

Skråsnit

- **Fig.10:** 1. Spændeskruer 2. Maskinens grundplade

Vipning til højre

- **Fig.11:** 1. Positiv stopper

Drej den positive stopper, så pilen på den peger på en af to positioner (lodret i 22,5°, vandret i 45°). Løsn spændeskruerne foran og bagpå. Vip derefter maskinens grundplade, indtil den stopper, og fastgør grundpladen med spændeskruerne.

For at få en skråvinkel på 48° skal du flytte håndtaget til markeringen 48° så langt som den kan komme. Drej derefter den positive stopper, så pilen på den peger på den vandrette position. Vip derefter maskinens grundplade, indtil den stopper, og fastgør grundpladen med spændeskruerne.

- **Fig.12:** 1. Håndtag

Vipning til venstre

- **Fig.13:** 1. Skiftehåndtag til skråvinkel

Maskinen kan vippes til venstre 1° skråvinkel. For at få den venstre 1° skråvinkel skal du løsne spændeskruerne foran og bagpå, vippe maskinhåndtaget lidt til højre og skubbe to skiftehåndtag til skråvinkel på samme tid i pilens retning, som har en markering -1. Og vip derefter maskinhåndtaget til venstre, mens du skubber disse to håndtag på samme tid. Fastgør grundpladen med spændeskruerne.

BEMÆRK:

- Når klingens vinkel vender tilbage til den rette vinkel, vender skiftehåndtaget til 0° af sig selv.

Sigtning

- **Fig.14:** 1. Grundplade 2. Skærelinje

Ved brug af maskinen uden styreskinne (tilbehør)

Ved lige snit rettes A-positionen på forsiden af grundpladen ind efter skærelinjen. Ved 45° skråsnit skal B-positionen rettes ind efter den.

Ved brug af maskinen med styreskinne (tilbehør)

Ved både lige snit og 45° skråsnit skal du altid justere A-positionen på forsiden af grundpladen med skærelinjen.

Kontaktfunktion

- **Fig.15:** 1. Lås fra-knap 2. Afbryderknap

⚠ FORSIGTIG:

- Før du tilslutter maskinen, skal du altid kontrollere, at afbryderknappen aktiveres korrekt og vender tilbage til "FRA"-positionen, når den slippes.

For at forhindre, at afbryderknappen trykkes ned ved et uheld, er maskinen udstyret med en lås fra-knap. Hvis du vil starte maskinen, skal du trykke lås fra-knappen ind og trykke på afbryderknappen. Slip afbryderknappen for at stoppe.

Hastighedsvælger

- **Fig.16:** 1. Hastighedsvælger

Maskinens hastighed kan justeres ved at dreje på hastighedsvælgeren. Højere hastighed opnås, når vælgeren drejes i retning af nummer 6; lavere hastighed opnås, når den drejes i retning af nummer 1. Se tabellen for at vælge den rette hastighed til det arbejdsemne, der skal skæres. Den rette hastighed

kan dog variere afhængigt af arbejdsmønets type eller tykkelse. Generelt vil højere hastigheder give dig mulighed for at skære arbejdsmøner hurtigere, men klingens levetid vil blive reduceret.

Nummer	min ⁻¹
1	2.200
2	2.700
3	3.800
4	4.900
5	6.000
6	6.400

▲FORSIGTIG:

- Hastighedsvælgeren kan kun drejes så langt som 6 og tilbage til 1. Undlad at tvinge den forbi 6 eller 1, da hastighedsjusteringsfunktionen muligvis ikke længere fungerer.
- Hastighedsvælgeren er ikke beregnet til brug af savklinger med lav hastighed, men til at opnå en hastighed, der er egnet til arbejdsmønets materiale. Brug kun savklinger, der er beregnet til mindst den maksimale hastighed uden belastning, der er angivet i SPECIFIKATIONERNE.

Maskinerne udstyret med elektronisk funktion er nemme at betjene på grund af følgende funktioner.

Overbelastningsbeskyttelse

Når maskinen er overbelastet, og strømstyrken går over et vist niveau, stopper maskinen automatisk for at beskytte motoren.

Konstant hastighedskontrol

Elektronisk hastighedskontrol for at opnå konstant hastighed. Det er muligt at opnå en fin finish, fordi rotationshastigheden holdes konstant, selv under belastningsforhold.

Blød startfunktion

Blød start på grund af undertrykt startstød.

MONTAGE

▲FORSIGTIG:

- Sørg altid for, at maskinen er slukket og frakoblet, før du udfører arbejde på maskinen.

Opbevaring af sekskantnøgle

► **Fig.17:** 1. Sekskantnøgle

Sekskantnøglen opbevares på maskinen. For at fjerne sekskantnøglen skal du blot trække den ud.

For at montere sekskantnøglen skal du placere den på grebet og sætte den så langt ind, som den kan komme.

Afmontering eller montering af savklinge

▲FORSIGTIG:

- Undlad at bruge savklinger, der ikke opfylder de egenskaber, der er angivet i disse instruktioner.
- Brug kun savklinger, der er beregnet til mindst den maksimale hastighed uden belastning, der er angivet i SPECIFIKATIONERNE.
- Sørg for, at klingen er monteret med tænderne pegende opad foran på maskinen.
- Brug kun Makita-skruenøglen til at montere eller afmontere klingens.

For at fjerne klingens skal du trykke lås fra-knappen ind for at låse den øvre grænsestopper op.

► **Fig.18:** 1. Lås fra-knap 2. Låsehåndtag

Drej låsehåndtaget for at låse savhovedet ved udskiftning af en klinge.

► **Fig.19:** 1. Låsehåndtag

Når lås fra-knappen er trykket ned, og låsehåndtaget er drejet, sænkes håndtaget, så låsestiften passer ind i rillen, der dannes af låsehåndtaget og dybdeguiden med skalapladen. Sørg for, at låsestiften passer i rillen.

Tryk skaftlåsen helt ind, så klingens ikke kan dreje rundt, og brug skruenøglen til at løsne sekskantboltens mod uret. Fjern derefter sekskantboltens, den ydre flange og klingens.

► **Fig.20:** 1. Sekskantnøgle 2. Skaftlås

For at montere klingens skal du følge afmonteringsproceduren i omvendt rækkefølge. **SØRG FOR AT TILSPÆNDE SEKSKANTBOLTENS FORSVARLIGT MED URET.**

► **Fig.21:** 1. Sekskantbolt 2. Ydre flange 3. Savklinge 4. Indre flange

Rengøring af beskyttelsesskærmen

Når rengøring af beskyttelsesskærmen udføres, skal du også sørge for at rengøre beskyttelsesskærmen for ophobet savsmuld som omtalt i afsnittet Vedligeholdelse. Sådanne tiltag erstatter ikke nødvendigheden af at kontrollere beskyttelsesskærmens funktion inden hver brug.

Tilslutning af en støvsuger

► **Fig.22:** 1. Støvsuger 2. Støvport

Når du ønsker at udføre rent skærearbejde, skal du tilslutte en Makita-støvsuger til maskinen. Tilslut en slange fra støvsugeren til støvporten som vist på figuren.

ANVENDELSE

Sektionskæring (almindelig savning)

⚠️FORSIGTIG:

- Sørg for at bevæge maskinen forsigtigt fremad i en lige linje. Hvis du tvinger eller vrider maskinen, vil det resultere i overophedning af motoren og farligt tilbageslag, hvilket muligvis kan medføre alvorlig personskade.
- Undlad at anbringe nogen del af kroppen under maskinens grundplade ved sektionsskæring, især ved start. Hvis du gør det, kan det medføre alvorlig personskade. Klingen er blottet under maskinens grundplade.

Hold godt fast i maskinen. Maskinen er udstyret med både et fronthåndtag og et baghåndtag. Brug begge dele for at få det bedste greb om maskinen. Hvis begge hænder holder saven, kan de ikke skæres af klingens. Anbring forsiden af grundpladen på det arbejdsemne, der skal skæres, uden at klingens kommer i kontakt med det. Tryk derefter lås fra-knappen ind, og tænd for maskinen, og vent, indtil klingens har nået fuld hastighed. Tryk nu langsomt savhovedet ned til den forudindstillede skæredybde, og bevæg maskinen blot fremad henover overfladen på arbejdsemnet, idet du holder den fladt og fremfører den jævnt fremad, indtil savningen er afsluttet.

For at opnå rene snit skal du holde savlinjen lige og fremføringshastigheden jævn. Hvis snittet ikke følger den tilsigtede snitlinje korrekt, skal du undlade at forsøge at dreje eller tvinge maskinen tilbage til skærelinjen. Hvis du gør det, kan det binde klingens og medføre farligt tilbageslag og mulig alvorlig personskade. Slip kontakten, vent på, at klingens stopper, og træk derefter maskinen tilbage. Juster maskinen på den nye skærelinje igen, og start skæringen igen. Forsøg at undgå en placering, der udsætter operatøren for spåner og støv, der skubbes ud af saven. Brug øjenbeskyttelse for at undgå personskade.

► Fig.23

Ved brug med styreskinne (tilbehør)

► Fig.24: 1. Justeringsskruer

Anbring maskinen på den bageste ende af styreskinnen. Drej de to justeringsskruer på maskinens grundplade, så maskinen glider jævnt uden at klapre. Hold godt fast i maskinen. Maskinen er udstyret med både et fronthåndtag og et baghåndtag. Brug begge dele for at få det bedste greb om maskinen. Tænd for maskinen, tryk maskinen ned til den forudindstillede skæredybde, og skær overfladebeskytteren i hele længden i én arbejdsgang. Kanten af overfladebeskytteren svarer til skærekanten.

Ved skrånit med styreskinnen skal du skubbe glidehåndtaget på maskinens grundplade, så maskinen ikke falder ned på siden.

► Fig.25: 1. Glidehåndtag

Flyt glidehåndtaget på maskinens grundplade i pilens retning, så det går i indgreb med den underskærne rille på styreskinnen.

Parallelanslag (styrepind) (ekstraudstyr)

► Fig.26: 1. Parallelanslag (styrepind)

Det praktiske parallelanslag giver dig mulighed for at lave ekstra præcise lige snit. Du skal blot skubbe parallelanslaget helt op mod siden af arbejdsemnet og fastgøre det i position med skrue foran og bag på grundpladen. Det giver også mulighed for gentagne snit af ensartet bredde.

Ved at vende parallelanslaget (styrepind) fungerer det også som en undergrundplade for maskinen.

Indstikskæring (udskæring)

► Fig.27: 1. Bageste kant af maskinens grundplade
2. Fast stop

⚠️ADVARSEL:

- For at undgå tilbageslag skal du sørge for at overholde følgende instruktioner.

Ved brug af maskinen uden styreskinne

Anbring maskinen på arbejdsemnet med den bageste kant af maskinens grundplade mod et fast stop eller tilsvarende, som er udformet af en operatør.

Ved brug af maskinen med styreskinne

Anbring maskinen på styreskinnen med den bageste kant af maskinens grundplade mod et fast stop eller tilsvarende, som er fastspændt på styreskinnen.

Hold godt fast i maskinen med den ene hånd på fronthåndtaget og den anden på maskinens håndtag. Tryk derefter lås fra-knappen ind, og tænd for maskinen, og vent, indtil klingens har nået fuld hastighed. Tryk nu savhovedet langsomt ned til den forudindstillede skæredybde, og flyt blot maskinen fremad til den ønskede indstikposition.

BEMÆRK:

- Markeringerne på siden af beskyttelsesskærmen viser savklingens forreste og bageste skærepunkter (A for diameter 160 mm og B for diameter 165 mm) ved den maksimale skæredybde og ved hjælp af styreskinnen.

► Fig.28

Styreenhed (tilbehør)

Brug af geringsskalaen (tilbehør) giver mulighed for nøjagtige geringssnit med vinkler og monteringsarbejder. Brug af spændet (tilbehør) sikrer, at arbejdsemnet holdes fast på bordet.

VEDLIGEHOJDELSE

▲FORSIGTIG:

- Sørg altid for, at maskinen er slukket og frakoblet, før du forsøger at udføre inspektion eller vedligeholdelse.
- **Rengør beskyttelsesskærm for at sikre, at der ikke er ophobet noget savsmuld, som kan hindre afskærmningssystemets funktion.** Et beskidt afskærmningssystem kan begrænse den korrekte funktion, hvilket kan medføre alvorlig personskaade. Den mest effektive måde at foretage denne rengøring på er med trykluft. **Hvis støvet blæses ud af beskyttelsesskærmen, skal du sørge for at anvende korrekt øjen- og åndedrætsbeskyttelse.**
- Undlad at bruge benzin, rensebenzin, fortynder, alkohol eller lignende. Der kan opstå misfarvning, deformation eller revner.

Justering af nøjagtighed for snit på 90° og 45° (lodret snit og 45° snit)

Denne justering er foretaget på fabrikken. Men hvis den er dårlig, skal du justere justeringsskruerne med en sekskantnøgle, mens du inspicerer klingens i 90° eller 45° med grundpladen ved hjælp af en trekantlineal eller firkantet lineal osv.

► **Fig.29:** 1. Justeringsskrue til 90°

► **Fig.30:** 1. Justeringsskrue til 45°

BEMÆRK:

- Justering af nøjagtighed for snit på 22,5°, 48° og -1° kan ikke udføres.

Udskiftning af kulbørster

► **Fig.31:** 1. Slidgrænse

Fjern og kontroller kulbørsterne regelmæssigt. Udskift dem, når de er slidt ned til slidgrænsen. Hold kulbørsterne rene og frie til at glide i holderne. Begge kulbørster bør udskiftes samtidigt. Brug kun identiske kulbørster.

► **Fig.32:** 1. Skruetrækker 2. Kulholderdæksel

Brug en skruetrækker til at fjerne kulholderdækslerne. Tag de slidte kulbørster ud, sæt de nye i, og fastgør kulholderdækslerne.

For at opretholde produktets SIKKERHED og PÅLIDELIGHED skal reparationer, anden vedligeholdelse eller justering udføres af autoriserede Makita-servicecentre, og der altid bruger Makita-reservedele.

EKSTRAUDSTYR

▲FORSIGTIG:

- Dette tilbehør eller ekstraudstyr anbefales til brug med din Makita-maskine, der er angivet i denne vejledning. Anvendelse af andet tilbehør eller ekstraudstyr kan udgøre en risiko for personskaade. Anvend kun tilbehør eller ekstraudstyr til det angivne formål.

Hvis du har brug for hjælp til at få flere oplysninger om dette tilbehør, kan du kontakte det lokale Makita-servicecenter.

- Savklinger
- Styreskinne
- Parallellanslag (styrepind)
- Geringsskala
- Spænde
- Sekskantnøgle
- Arksæt til styreskinne
- Gummiarksæt til styreskinne
- Positionsarksæt til styreskinne

BEMÆRK:

- Nogle elementer på listen kan være inkluderet i maskinpakken som standardtilbehør. De kan være forskellige fra land til land.

SPECIFIKĀCIJAS

Modelis	SP6000	
Asmens diametrs	165 mm	
Maks. frēzēšanas dziļums	90° leņķī	56 mm
	45° leņķī	40 mm
	48° leņķī	38 mm
Tukšgaitas ātrums (min ⁻¹)	2 200 - 6 400	
Kopējais garums	341 mm	
Neto svars	4,1 kg	
Drošības klase	□/II	

- Nepārtrauktās izpētes un izstrādes programmas dēļ šeit uzrādītās specifikācijas var tikt mainītas bez brīdinājuma.
- Atkarībā no valsts specifikācijas var atšķirties.
- Svārs var atšķirties atkarībā no papildierīces(-ēm). Tabulā ir attēlota vieglākā un smagākā kombinācija atbilstoši EPTA procedūrai 01/2014.

Paredzētā lietošana

Šis darbarīks ir paredzēts iezāģējumu veikšanai. Šis darbarīks ir paredzēts arī kokmateriālu garenzāģēšanai un pārzāģēšanai. Ja darbarīkam ir atbilstošs ripzāģa asmens, to var izmantot alumīnija plāksņu, plastmasas plāksņu, apšuvuma plāksņu un metāla sienas paneļu zāģēšanai.

Strāvas padeve

Darbarīks jāpievieno tikai tādai strāvas padevei, kuras spriegums ir tāds pats, kā norādīts uz plāksnītes ar nosaukumu, un to var ekspluatēt tikai ar vienfāzes maiņstrāvas padevi. Darbarīks aprīkots ar divkāršo izolāciju, tādēļ to var izmantot arī, pievienojot kontaktligzdai bez iezemējuma vada.

Trokšņa līmenis

Tipiskais A-svērtais trokšņa līmenis ir noteikts saskaņā ar EN62841-2-5:

- Skaņas spiediena līmenis (L_{pA}): 95 dB (A)
- Skaņas jaudas līmenis (L_{WA}): 103 dB (A)
- Neskaidrība (K): 3 dB (A)

PIEZĪME: Paziņotā trokšņa emisijas vērtība noteikta atbilstoši standarta pārbaudes metodei, un to var izmantot, lai salīdzinātu vienu darbarīku ar citu.

PIEZĪME: Paziņoto trokšņa emisijas vērtību arī var izmantot iedarbības sākotnējā novērtējumā.

▲BRĪDINĀJUMS: Lietojiet ausu aizsargus.

▲BRĪDINĀJUMS: Trokšņa emisija patiesos darba apstākļos var atšķirties no paziņotās vērtības atkarībā no darbarīka izmantošanas veida un jo īpaši atkarībā no apstrādājamā materiāla veida.

▲BRĪDINĀJUMS: Lai aizsargātu lietotāju, nosakiet drošības pasākumus, kas pamatoti ar iedarbību reālos darba apstākļos (ņemot vērā visus ekspluatācijas cikla posmus, piemēram, laiku, kamēr darbarīks ir izslēgts un kad darbojas tukšgaitā, kā arī palaides laiku).

Vibrācija

Vibrācijas kopējā vērtība (trīs asu vektora summa) noteikta saskaņā ar EN62841-2-5:

- Darba režīms: koksnes zāģēšana
Vibrācijas emisija ($a_{h,w}$): 2,5 m/s² vai mazāk
Neskaidrība (K): 1,5 m/s²
- Darba režīms: metāla zāģēšana
Vibrācijas emisija ($a_{h,M}$): 2,5 m/s² vai mazāk
Neskaidrība (K): 1,5 m/s²

PIEZĪME: Paziņotā kopējā vibrācijas vērtība noteikta atbilstoši standarta pārbaudes metodei, un to var izmantot, lai salīdzinātu vienu darbarīku ar citu.

PIEZĪME: Paziņoto kopējo vibrācijas vērtību arī var izmantot iedarbības sākotnējā novērtējumā.

▲BRĪDINĀJUMS: Vibrācijas emisija patiesos darba apstākļos var atšķirties no paziņotās vērtības atkarībā no darbarīka izmantošanas veida un jo īpaši atkarībā no apstrādājamā materiāla veida.

▲BRĪDINĀJUMS: Lai aizsargātu lietotāju, nosakiet drošības pasākumus, kas pamatoti ar iedarbību reālos darba apstākļos (ņemot vērā visus ekspluatācijas cikla posmus, piemēram, laiku, kamēr darbarīks ir izslēgts un kad darbojas tukšgaitā, kā arī palaides laiku).

Atbilstības deklarācijas

Tikai Eiropas valstīm

Atbilstības deklarācijas šajā lietošanas rokasgrāmatā ir iekļautas kā A pielikums.

Vispārīgi elektrisko darbarīku drošības brīdinājumi

▲BRĪDINĀJUMS Izlasiet visus drošības brīdinājumus, norādījumus un tehniskos datus un izpētiet ilustrācijas, kas iekļautas šā elektriskā darbarīka komplektā. Neievērojot visus tālāk minētos

noteikumus, iespējams elektriskās strāvas trieciena, aizdegšanās un/vai smagu traumu risks.

Glabājiet visus brīdinājumus un norādījumus, lai varētu tajos ieskatīties turpmāk.

Termins „elektrisks darbarīks” brīdinājumos attiecas uz tādu elektrisko darbarīku, ko darbina ar elektrību (ar vadu), vai tādu, ko darbina ar akumulatoru (bez vada).

Drošības brīdinājumi ripzāģim

Zāģēšanas procedūras

1. **⚠BĪSTAMI:** Netuviniet rokas griešanas zonai un asmenim. Otru roku turiet uz palīgroktura vai motora korpusa. Ja turat zāģi ar abām rokām, asmens tās nevar sagriezt.
2. Nesniedzieties zem apstrādājamā materiāla. Aizsargs neaizsargā no asmens zem apstrādājamā materiāla.
3. Noregulējiet griešanas dziļumu atbilstoši apstrādājamā materiāla biežumam. Zem apstrādājamā materiāla jābūt redzamam nedaudz mazāk nekā veselam zāģa zobam.
4. Griežot apstrādājamo materiālu, nekad neturiet to rokās vai pār kāju. Apstrādājamo materiālu nostipriniet uz stabilas platformas. Materiālu ir svarīgi pareizi nostiprināt, lai mazinātu apdraudējumu ķermenim, novērstu asmens iekļīšanās vai kontroles zuduma risku.

► Att.1

5. Veicot darbību, kuras laikā griešanas instruments var pieskarties slēptam vadam vai savam vadam, mehanizēto darbarīku turiet aiz izolētām virsmām. Saskare ar vadu zem sprieguma var nodot spriegumu mehanizētā darbarīka metāla daļām, un operators var saņemt elektriskās strāvas triecienus.
6. Zāģējot gareniski, vienmēr izmantojiet garenzāģēšanas ierobežotāju vai aizsargu ar taisnām malām. Tas uzlabo zāģēšanas precizitāti un mazina asmens iekļīšanās iespēju.
7. Vienmēr izmantojiet asmeņus ar pareizā izmēra un formas (dimanta vai apaļas) pievie-nošanas atverēm. Asmeņi, kas neatbilst zāģa uzstādīšanas sastāvdaļām, darbosies nepareizi, izraisot kontroles zudumu.
8. Nekādā gadījumā nelietojiet bojātas vai neatbilstošas asmens starplikas vai skrūvi. Asmens paplāksnes un skrūves ir speciāli paredzētas konkrētajam zāģim, lai sniegtu optimālu darba izpildi un drošību.

Atsitiens iemesli un ar to saistīti brīdinājumi

- atsitiens ir pēkšņa kustība pēc zāģa asmens iesprūšanas, iekļīšanās vai nepareizas novietošanās, liekot zāģim nekontrolēti pacelties un izvīzīties no apstrādājamā materiāla operatora virzienā;
- kad asmens cieši iesprūst vai iekļījas starp sakļaujamos iezāģējumu, asmens apstājas, un dzinēja kustība liek ierīcei strauji virzīties atpakaļ operatora virzienā;
- ja asmeni iezāģējumā spiež vai nepareizi novieto, zobi asmens aizmugurējā malā var

ieriebties koka virsmā, liekot asmenim izvīzīties no iezāģējuma un atlēkt atpakaļ operatora virzienā.

Atsitiens rodas zāģa nepareizas lietošanas un/vai nepareizas darbības vai apstākļu rezultātā, un no tā var izvairīties, veicot piemērotus drošības pasākumus, kā tālāk norādīts.

1. Ar abām rokām spēcīgi turiet zāģi, rokas novietojot tā, lai spētu pretoties atsitiens spēkam. Turiet asmeni vienā ķermeņa pusē, bet neturiet vienā līnijā ar ķermeņa vidusdaļu. Atsitiens var likt zāģim atlēkt atpakaļ, taču atsitiens spēku operators var kontrolēt, ja veic piemērotus drošības pasākumus.
2. Ja asmens iekļījas vai kāda iemesla dēļ neļauj pabeigt zāģēšanu, atlaidiet mēlīti un nekustinot turiet zāģi materiālā, kamēr asmens pilnībā apstājas. Nekad neņemiet zāģi ārā no materiāla un nevīziet to atpakaļ, ja asmens kustas, jo tā var izraisīt atsitienu. Pārbaudiet un koriģējiet, lai novērstu asmens iekļīšanās cēloņus.
3. Atsākot zāģa darbību apstrādājamajā materiālā, novietojiet zāģa asmeni iezāģējuma centrā tā, lai zāģa zobi nesaskaras ar materiālu. Ja zāģa asmens ir iekļījies, tas var palēkties vai atsīties no apstrādājamā materiāla, kad zāģa darbība tiek atsākta.
4. Atbalstiet lielus gabalus, lai samazinātu asmens iesprūšanu vai atsitienu. Lielī gabali bieži vien zem sava svara ieliecas. Atbalsti jānovieto abās pusēs zem gabala, blakus griezumam līnijai un blakus gabala malai.

► Att.2

► Att.3

5. Neizmantojiet neasus vai bojātus asmeņus. Neuzasināts vai nepareizi uzstādīts asmens veido šauru iezāģējumu, kas rada pārmērīgu berzi, asmens iekļīšanos vai atsitienu.
6. Pirms sākt zāģēt pārliecinieties, vai asmens dziļuma un slīpuma regulēšanas sviras ir ciešas un nostiprinātas. Ja noregulētais asmens griešanas laikā pārvietojas, tas var iekļīties un izraisīt atsitienu.
7. Īpaši uzmanieties, zāģējot jau esošās sienās vai citās aizsegtās vietās. Caurejošais asmens var ietriekties priekšmetos, kas var izraisīt atsitienu.
8. VIENMĒR stingri turiet darbarīku ar abām rokām. NEKAD nenovietojiet savu galvu, kāju vai jebkuru savu ķermeņa daļu zem darbarīka pamatnes vai aiz zāģa, īpaši, kad zāģējat šķēr-sām. Ja ir atsitiens, zāģis var atlēkt atpakaļ vīrs jūsu rokas, radot smagu traumu.

► Att.4

9. Nekad nespiediet zāģi. Virziet zāģi uz priekšu tādā ātrumā, lai asmens zāģētu bez palēnināšanās. Ja spēcīgi spiedīsiet zāģi, zāģējumi būs nevienmērīgi, neprecīzi un radīsies atsitiens risks.

Aizsarga funkcionēšana

1. Pirms katras lietošanas reizes pārbaudiet, vai aizsargs aizveras pareizi. Nelietojiet zāģi, ja aizsargs nekustas brīvi un nenosedz asmeni uzreiz. Nekad nepiestipriniet un nepiesieniet aizsargu atvērtā stāvoklī, neapsedzot asmeni. Ja zāģis nejausi nokrītis, aizsargs var salocīties.

Pārbaudiet, lai pārliecinātos, ka aizsargs kustas brīvi un nepieskaras asmenim vai jebkurai citai daļai visos leņķos un zāģējuma dziļumos.

2. **Pārbaudiet aizsarga atgriešanās atspere darbību un stāvokli.** Ja aizsargs un atspere nedarbojas pareizi, tie pirms lietošanas jāsalabo. Aizsargs var darboties lēni bojātu daļu, sveķu nosēdumu vai grūžu uzkrājumu dēļ.
3. **Nodrošiniet, lai, veicot iezāģējumu, zāģa pamatnes plāksne neizkustētos.** Asmenim novirzoties sānis, tas iekļīties un var radīt atsitienu.
4. **Pirms novietojat zāģi uz sola vai grīdas, vienmēr pārbaudiet, vai asmeni sedz aizsargs.** Neaizsargāts asmens, kas kustas pēc inerces, virzīs zāģi atpakaļ, sagriežot visu tā ceļā. Atcerieties, ka pēc slēdža atlaišanas asmenim nepieciešams laiks, lai apstātos.

Papildu drošības brīdinājumi

1. **Īpaši uzmanieties, kad zāģējat mitru koksni, ar spiedienu apstrādātu zāģmateriālu vai zarus.** Uzturiet vienmērīgu zāģēšanas ātrumu, nesamazinot darbarīka asmens ātrumu, lai asmens malas nepārkarstu, bet, zāģējot plastmasu, tā nekustu.
2. **Neņemiet nost sagriezto materiālu, kamēr asmens griežas.** Pirms sazāģētā materiāla satveršanas nogaidiet, līdz asmens apstājas. Asmeņi pēc darbarīka izslēgšanas turpina kustēties pēc inerces.
3. **Negrieziet naglas.** Pirms zāģēšanas pārbaudiet, vai zāģmateriālā nav naglu, un tās izņemiet.
4. **Zāģa pamata platāko daļu novietojiet uz tās apstrādājamā materiāla daļas, kas ir cieši atbalstīta, nevis uz daļas, kas pēc nogriešanas nokrītīs.** Ja apstrādājamais materiāls ir īss vai mazs, piestipriniet to. **NETURIET ĪSOS GABALUS ROKĀS!**

► Att.5

5. **Pirms nolaist darbarīku, pabeidzot zāģēšanu, pārliecinieties, ka apakšējais aizsargs ir aizvēries un asmens ir pilnībā apstājies.**
6. **Nekad nezāģējiet, ja ripzāģis skrūvspilēs nestiprināts otrādi.** Tas ir ārkārtīgi bīstami un var izraisīt smagus negadījumus.

► Att.6

7. **Daži materiāli satur ķīmiskas vielas, kas var būt toksiskas.** Izvairieties no putekļu ieelpošanas un to nokļūšanas uz ādas. Ievērojiet materiāla piegādātāja drošības datus.
8. **Nemēģiniet apstādināt asmeņus, no sāniem spiežot uz zāģa asmens.**
9. **Neizmantojiet abrazīvās ripas.**
10. **Izmantojiet tikai tāda diametra zāģa asmeņus, kas ir norādīts uz darbarīka vai rokasgrāmatā.** Izmantojot nepareiza izmēra asmeni, var būt traucēta asmens pareiza aizsardzība vai aizsarga darbība, kas var izraisīt nopietnus ievainojumus.
11. **Uzturiet asmeni asu un tīru.** Ja asmeņiem pielipuši sveķi un koka darva, zāģa darbība kļūst lēnāka un atsitienu risks palielinās. Rūpējieties, lai asmens būtu tīrs, vispirms to noņemot nost no darbarīka, tad notīrot ar sveķu un darvas tīrītāju, karstu ūdeni vai petroleju. Nekad neizmantojiet

benzīnu.

12. **Ietojot darbarīku, izmantojiet putekļu masku un ausu aizsargus.**
13. **Vienmēr izmantojiet zāģa asmeni, kas paredzēts materiālam, ko griezīsiet.**
14. **Izmantojiet tikai tādus zāģa asmeņus, kas ir marķēti ar ātrumu, kas ir tāds pats vai lielāks kā uz darbarīka norādītais ātrums.**
15. **(Tikai Eiropas valstīm)** Ja paredzēts zāģēt koku un līdzīgus materiālus, vienmēr izmantojiet asmeni, kas atbilst standartam EN847-1.

SAGLABĀJIET ŠOS NORĀDĪJUMUS.

▲BRĪDINĀJUMS: NEPIEĻAUJIET To, ka labu iemaņu vai izstrādājuma labas pārzināšanas (darbarīku atkārtoti ekspluatējot) rezultātā vairs stingri neievērojāt šī izstrādājuma drošības noteikumus. **NEPAREIZI LIETOJOT** darbarīku vai neievērojot šajā instrukciju rokasgrāmatā minētos drošības noteikumus, var tikt gūtas smagas traumas.

FUNKCIJU APRAKSTS

▲UZMANĪBU:

- Pirms regulējat vai pārbaudāt instrumenta darbību, vienmēr pārliecinieties, vai instruments ir izslēgts un atvienots no barošanas.

Ēvelēšanas dziļuma regulēšana

- **Att.7:** 1. Spīlējuma skrūve 2. Asmens apakšējās robežas aizturis

▲UZMANĪBU:

- Pēc frēzēšanas dziļuma noregulēšanas vienmēr cieši pievelciet spīlējuma skrūvi.

Atbrīvojiet spīlējuma dziļuma vadīklas skrūvi un pārvietojiet asmens apakšējās robežas aizturi līdz vēlamajam dziļumam uz skalas plāksnes. Pie vēlamā zāģējuma dziļuma cieši pievelciet spīlējuma skrūvi. Lai zāģēšana būtu tīrāka un drošāka, uzstādiēt zāģēšanas dziļumu tā, lai ne vairāk kā viens asmens zobu būtu redzams zem apstrādājamā materiāla. Izmantojot pareizu zāģēšanas dziļumu, iespējams samazināt bīstamus ATSITIENUS, kas var izraisīt ievainojumus.

PIEZĪME:

- Asmens apakšējā robežas aiztura iestatīšana uz vēlamo dziļumu uz skalas plāksnes atļauj zāģējuma aptuvenu dziļumu. Precīzam zāģējuma dziļumam izmēriet attiecīgo zāģa asmens izcilni zem darbarīku pamatnes.

Ātrās apstādināšanas poga 2 līdz 3 mm zāģējuma dziļumam, kad tiek pielietota virzošā sliede (papildu piederums).

► Att.8: 1. Ātrās apstādināšanas poga

Šim darbarīkam ir ātrās apstādināšanas poga 2 līdz 3 mm zāģējuma dziļumam uz korpusa cauruma, papildu aizmugurējam rokturim, kad tiek lietota virzošā sliede. To lieto, lai novērstu skabargas uz apstrādājamā materiāla, to zāģējot. Veiciet pirmo iezāģējumu 2 līdz 3 mm, un tad veiciet vēl vienu parastā veida iezāģējumu. Lai iegūtu 2 līdz 3 mm zāģējuma dziļumu, iespiediet apstādināšanas pogu zāģa asmens virzienā. Tas ir ērti, lai izvairītos no skabargām uz apstrādājamā materiāla. Lai atbrīvotu zāģējuma dziļumu no tā pozīcijas brīvam zāģēšanas dziļumam, vienkārši atvelciet pogu atpakaļ.

► Att.9: 1. Ātrās apstādināšanas poga

Slīpā zāģēšana

► Att.10: 1. Spīlējuma skrūves 2. Darbarīka pamatne

Noliekšana pa labi

► Att.11: 1. Pozitīvais aizturis

Pagrieziet pozitīvo aizturi tā, lai bulta norāda uz vienu no divām pozīcijām (vertikāli 22,5°, horizontāli 45°) Atskrūvējiet spīlējuma skrūves gan priekšpusē, gan aizmugurē. Tad nolieciet darbarīku pamatni, līdz tā apstājas un nostipriniet pamatni ar spīlējuma skrūvēm. Lai iegūtu 48° slīpuma leņķi, pārvietojiet sviru līdz 48° atzīmei tik tālu, cik iespējams. Pagrieziet pozitīvo aizturi tā, lai bulta uz tā norāda uz horizontālo pozīciju. Tad nolieciet darbarīku pamatni, līdz tā apstājas, un nostipriniet pamatni ar spīlējuma skrūvēm.

► Att.12: 1. Svira

Noliekšana pa kreisi

► Att.13: 1. Slīpā leņķa pārslēgšanas svira

Darbarīku var noliekt pa kreisi 1° slīpuma leņķī. Lai iegūtu 1° slīpuma leņķi pa kreisi, atskrūvējiet spīlējuma skrūves gan priekšpusē, gan aizmugurē, nolieciet darbarīka rokturi nedaudz pa labi un vienlaicīgi nospiediet divas slīpuma leņķa pārslēgšanas sviras ar „-1°” apzīmētās bultas virzienā. Un pēc tam nolieciet darbarīka rokturi pa kreisi, vienlaicīgi nospiežot šīs divas sviras. Nostipriniet pamatni ar spīlējuma skrūvēm.

PIEZĪME:

- Asmens atgriešana uz labo leņķi liek pārslēgšanas svirai pašai atgriezties uz 0°.

Nomērķēšana

► Att.14: 1. Pamatne 2. Zāģēšanas līnija

Darbarīka izmantošana bez virzošās sliedes (papildu piederums).

Lai zāģētu taisni, savietojiet A stāvokli uz pamatnes priekšējās daļas ar vajadzīgo zāģēšanas līniju. Lai zāģētu 45° slīpā leņķī, savietojiet ar to B stāvokli.

Izmantojot darbarīku ar virzošo sliedi (papildu piederums)

Gan taisnajai zāģēšanai, gan 45° slīpajai zāģēšanai, vienmēr novietojiet A pozīciju pamatnes priekšpusē līdzās jūsu zāģēšanas līnijai.

Slēdža darbība

► Att.15: 1. Atbloķēšanas poga 2. Slēdža mēlīte

▲UZMANĪBU:

- Pirms instrumenta pieslēgšanas vienmēr pārbaudiet, vai slēdža mēlīte darbojas pareizi un atgriežas izslēgtā stāvoklī, kad tiek atlaista.

Lai nepieļautu slēdža mēlītes nejašu pavilkšanu, darbarīks ir aprīkots ar atbloķēšanas pogu. Lai darbarīku iedarbinātu, iespiediet atbloķēšanas pogu uz iekšu un pavelciet slēdža mēlīti. Lai apturētu darbarīku, atlaidiet slēdža mēlīti.

Ātruma regulēšanas skala

► Att.16: 1. Ātruma regulēšanas skala

Darbarīka ātrumu var regulēt, pagriežot regulēšanas skalu. Lai palielinātu ātrumu, regulēšanas skala ir jāpagriež cipara 6 virzienā; lai samazinātu ātrumu, tā ir jāpagriež cipara 1 virzienā.

Lai izvēlētos attiecīgā priekšmeta apstrādei atbilstošu ātrumu, skatiet tabulu. Tomēr atbilstošais ātrums vai atšķirties atkarībā no apstrādājamā priekšmeta veida vai biežuma. Kopumā - lielāks ātrums ļauj sagriezt priekšmetus ātrāk, taču tiek samazināts asmens darbūms.

Cipars	min ⁻¹
1	2 200
2	2 700
3	3 800
4	4 900
5	6 000
6	6 400

▲UZMANĪBU:

- Ātruma regulēšanas skala var tikt griezta tikai no 1 līdz 6. Nemēģiniet ar spēku to pagriezt tālāk, tā varat sabojāt instrumentu.
- Ātruma regulēšanas skala nav domāta zema nominālā ātruma zāģa asmeņu izmantošanai, bet apstrādājamās daļas materiālam piemērota ātruma iegūšanai. Izmantojiet tikai tādas zāģa asmeņus, kuru nominālais brīvgaitas ātrums ir vismaz tāds pats kā maksimālais brīvgaitas ātrums, kas norādīts sadaļā TEHNISKIE DATI.

Ar elektronisko funkciju apriķiet instrumenti ir viegli lietojami, jo tiem ir šādas īpašības.

Pārslodzes aizsardzības ierīce

Kad darbarīks ir pārslēgots un pašreizējās plūsmas ir virs noteikta līmeņa, darbarīks automātiski apstājas, lai aizsargātu motoru.

Konstanta ātruma vadība.

Elektroniska ātruma vadība pastāvīga ātruma nodrošināšanai. Dod iespēju iegūt labi apstrādātu virsmu, jo griešanās ātrums tiek saglabāts nemainīgs pat, ja slodze ir liela.

Maigās palaišanas funkcija

Laidena ieslēgšana pateicoties startēšanas triecienu slāpēšanai.

MONTĀŽA

⚠UZMANĪBU:

- Vienmēr pārliecinieties, vai instruments ir izslēgts un atvienots no barošanas, pirms veicat jebkādas darbības ar instrumentu.

Sešstūra atslēgas uzglabāšana

► **Att.17:** 1. Sešstūra atslēga

Seššķautņu uzgriežņu atslēga atrodas uz darbarīka. Lai noņemtu seššķautņu uzgriežņu atslēgu, vienkārši izvelciet to.

Lai uzstādītu seššķautņu uzgriežņu atslēgu, novietojiet to uz roktura un ievietojiet to, cik tālu vien iespējams.

Zāga asmens noņemšana vai uzstādīšana

⚠UZMANĪBU:

- Neizmantojiet tādus asmeņus, kas neatbilst šajās instrukcijās noteiktajiem raksturlielumiem.
- Izmantojiet tikai tādus zāga asmeņus, kuru nominālais brīvgaits ātrums ir vismaz tāds pats kā maksimālais brīvgaits ātrums, kas norādīts sadaļā TEHNISKIE DATI.
- Pārbaudiet, vai asmens ir uzstādīts tā, ka zāga zobi ir vērsti augšup pret darbarīka priekšpusi.
- Asmeni uzstādiet vai noņemiet tikai ar Makita uzgriežņu atslēgu.

Lai noņemtu asmeni, nospiediet atbloķēšanas pogu, lai atbloķētu augšējo robežas aizturi.

► **Att.18:** 1. Atbloķēšanas poga 2. Bloķēšanas svira
Pagrieziet bloķēšanas sviru, lai nobloķētu zāga galvu asmens nomaīnai.

► **Att.19:** 1. Bloķēšanas svira

Kad atbloķēšanas poga ir nospiesta un bloķējošā svira ir pagriezta, nolaidiet rokturi, lai bloķējuma tapa der gropēi, ko izveidojusi bloķējošā svira, un dziļuma vadītāla - skalas plāksnei. Pārliecinieties, vai bloķējuma tapa ieguļas gropē.

Pilnībā nospiediet vārpstas bloķētāju, lai asmens nevar griezties, un izmantojiet uzgriežņatslēgu, lai atskrūvētu valjīgāk seššķautņu skrūvi pretēji pulksteņrādītāja virzienam. Pēc tam izņemiet seššķautņu bultskrūvi, ārējo atloku un asmeni.

► **Att.20:** 1. Sešstūra atslēga 2. Vārpstas bloķētājs

Lai uzstādītu asmeni, izpildiet noņemšanas procedūru apgrieztā secībā. PĀRBAUDIET, VAI

SEŠŠĶAUTŅU SKRŪVE IR CIEŠI PIESKRŪVĒTA PULKSTEŅRĀDĪTĀJA VIRZIENĀ.

► **Att.21:** 1. Seššķautņu bultskrūve 2. Ārējais atloks 3. Zāga asmens 4. Iekšējais atloks

Asmens aizsarga tīrīšana

Mainot ripzāga asmeni, noteikti notīriet arī uzkrājušās zāgu skaidas no asmens aizsarga, kā aprakstīts sadaļā "Apkope". Šīs darbības nevar aizvietot aizsarga darbības pārbaudi pirms katras lietošanas reizes.

Putekļsūcēja pievienošana

► **Att.22:** 1. Putekļsūcējs 2. Putekļu atvere

Kad vēlaties veikt tīru zāgēšanas darbu, pievienojiet Makita putekļsūcēju savam darbarīkam. Pievienojiet putekļsūcēja šļūteni pie putekļu sprauslas, kā attēlots zīmējumā.

EKSPLUATĀCIJA

Daļas zāgēšana (parastā zāgēšana)

⚠UZMANĪBU:

- Rūpējieties, lai darbarīks uzmanīgi virzītos uz priekšu. Ja darbarīku spēcīgi spiedīsiet vai grozīsiet, motors var pārkarst un iespējams radīt bīstamu atsitienu, kas var izraisīt nopietnus ievainojumus.
- Nekad netuviniet nevienu sava ķermeņa daļu zem darbarīku pamatnes, kad zāgējat daļu, īpaši zāgēšanas sākumā. Tāda rīcība var izraisīt nopietnus personīgus ievainojumus. Zem darbarīku pamatnes asmens ir atsegts.

Darbarīku turiet cieši. Darbarīkam ir gan priekšējais, gan aizmugurējais rokturis. Darbarīka satveršanai izmantojiet abus rokturus. Ja zāģi tur ar abām rokām, asmens nevar tās sagriezt. Uzstādiet pamatnes priekšpusi uz apstrādājamā materiāla, lai varētu zāģēt, asmenim nepieskaroties. Pēc tam iespiediet atbloķēšanas pogu un ieslēdziet darbarīku, un nogaidiet, līdz asmens sasniedz pilnu ātrumu. Tagad nospiediet zāga galvu leļup līdz iepriekš iestatītajam zāgēšanas dziļumam un vienkārši virziet darbarīku pāri apstrādājamā materiāla virsmai, turot to līdzīgi un pārvietojot uz priekšu vienmērīgi, līdz materiāls ir pārzāģēts.

Lai zāgēšana būtu precīza, saglabājiet taisnu zāgēšanas līniju un vienmērīgu zāga virzīšanas ātrumu. Ja zāģis nezāģē paredzētajā zāgēšanas līnijā, nemēģiniet darbarīku pagriezt vai ar spēku aizstumt atpakaļ uz zāgēšanas līniju. Šāda rīcība varētu saliekt asmeni un izraisīt bīstamu atsitienu un iespējamu nopietnu traumu. Atlaidiet slēdzi, pagaidiet, līdz asmens apstājas, un tad izņemiet darbarīku. Darbarīku ievietojiet jaunajā zāgējuma līnijā un sāciet zāgējumu no jauna. Centieties izvairīties no tāda zāga stāvokļa, kad skaidas un putekļi lido operatora virzienā. Lai netraumētu acis, izmantojiet acu aizsarglīdzekļus.

► **Att.23**

Izmantojot to ar virzošo sliedi (papildu instruments)

► Att.24: 1. Regulēšanas skrūves

Novietojiet darbarīku virzošās sliedes aizmugurējā galā. Pagrieziet divas noregulēšanas skrūves uz darbarīka pamatnes, lai darbarīks slīd gludi, bez grabēšanas. Turiet darbarīku stingri. Darbarīks ir aprīkots gan ar priekšējo, gan aizmugurējo rokturi. Lai būtu vislabākais savtēriens, lietojiet abus. Pagrieziet darbarīku, nospiediet darbarīku leju līdz iepriekš iestatītajam zāģēšanas dziļumam, un virziet skabargu aizmugurēji līdz visai līnijai garumā. Skabargu aiztura mala atbilst zāģēšanas malai.

Kad veicat slīpo zāģēšanu ar virzošo sliedi, pavelciet slīdes sviru uz darbarīka pamatnes tā, lai darbarīks nenokrīt uz tās pusi.

► Att.25: 1. Slīdsvira

Pārvietojiet slīdes sviru uz darbarīka pamatnes bultas virzienā, lai tas iesaista gropi zāģējuma apakšpusē virzošajā slīdē.

Garenfrēzēšanas ierobežotājs (vadotnes lineāls) (papildu piederums)

► Att.26: 1. Garenzāģēšanas ierobežotājs (vadotnes lineāls)

Parocīgais garenzāģēšanas ierobežotājs ļauj zāģēt ļoti precīzi. Vienkārši piebidiet garenzāģēšanas ierobežotāju cieši klāt apstrādājamā materiāla malai un nostipriniet to paredzētajā vietā ar pamatnes priekšējā un aizmugurējā daļā esošajām skrūvēm. Tas ļauj arī frēzēt atkārtoti vienādā platumā.

Garenzāģēšanas ierobežotāja (Vadotnes lineāla) apgāšana arī darbojas kā darbarīka pamatnes aizvietotājs.

Iezāģēšana (Izzāģēšana)

► Att.27: 1. Darbarīka pamatnes aizmugurējā mala 2. Fiksēts apstāšanās punkts

▲ BRĪDINĀJUMS:

- Lai izvairītos no sitsiena, nodrošiniet šo instrukciju ievērošanu.

Izmantojot darbarīku bez virzošās sliedes

Novietojiet apstrādājamo materiālu ar darbarīka pamatnes aizmugurējo malu pret fiksētu apstāšanās punktu vai tā ekvivalentu, ko noteicis operators.

Izmantojot darbarīku ar vadošo sliedi

Novietojiet darbarīku uz virzošās sliedes ar darbarīka pamatnes aizmugurējo malu pret fiksētu apstāšanās punktu vai ekvivalentu, kas ir iespīlēts uz virzošās sliedes.

Turiet darbarīku cieši ar vienu roku aiz priekšējā roktura un otru roku aiz darbarīka roktura. Tad iespiediet atbloķēšanas pogu un ieslēdziet darbarīku, un pagaidiet, līdz asmens sasniedz pilnu ātrumu. Tagad nospiediet

leju zāģa galvu, līdz iepriekš iestatītajam zāģēšanas dziļumam, un vienkārši virziet darbarīku uz priekšu, līdz vajadzīgajai iezāģēšanas pozīcijai.

PIEZĪME:

- Zīmes asmens aizsarga malās parāda priekšējos un aizmugurējos zāģa asmens zāģēšanas punktus (A 160 mm diametram un B 165 mm diametram) maksimālajā zāģēšanas dziļumā un izmantojot virzošo sliedi.

► Att.28

Virzošā ierīce (papildu instruments)

Mērinstrumenta (papildu instruments) izmantošana ļauj precīzus zāģējumus ar leņķiem un ierīkošanas darbiem. Aptveres (papildu piederums) izmantošana nodrošina apstrādājamā materiāla ciešu piestiprināšanu pie galda.

APKOPE

▲ UZMANĪBU:

- Pirms veicat pārbaudi vai apkopi vienmēr pārliecinieties, vai instruments ir izslēgts un atvienots no barošanas.
- **Notīriet uzkrājušās zāģskaidas no aizsarga, jo tās var negatīvi ietekmēt aizsardzības sistēmas darbību.** Netīra aizsardzības sistēma var ierobežot pareizu darbību, tādējādi, iespējams, izraisot smagus ievainojumus. Visefektīvāk šo tīrīšanu var veikt ar saspīestu gaisu. **Ja putekļi tiek izpūsti no aizsarga, noteikti izmantojiet piemērotu acu un elpceļu aizsardzību.**
- Nekad neizmantojiet gazoļīnu, benzīnu, atšķaidītāju, spirtu vai līdzīgus šķidrums. Tas var radīt izbalēšanu, deformāciju vai plaisas.

Regulēšana precīzai 90° un 45° zāģēšanai (vertikālā un 45° zāģēšana)

Šis elements ir noregulēts rūpnīcā. Taču, ja tas ir izslēgts, ar seššķautņu uzgriežņu atslēgu noregulējiet regulēšanas skrūves, ar leņķmēru, leikālu, u.c. pārbaudot 90° vai 45° asmeni.

► Att.29: 1. Regulēšanas skrūve 90° leņķim

► Att.30: 1. Regulēšanas skrūve 45° leņķim

PIEZĪME:

- Nevar tikt veikta noregulēšana precizitātei 22,5°, 48° un -1°.

Ogles suku nomaņa

► Att.31: 1. Robežas atzīme

Regulāri izņemiet un pārbaudiet ogles suku. Kad ogles suku ir nolietojušās līdz robežas atzīmei, nomainiet tās. Turiet ogles suku tīras un pārbaudiet, vai tās var brīvi ieiet tureļos. Abas ogles suku ir jānomaina vienlaikus. Izmantojiet tikai identiskas ogles suku.

► Att.32: 1. Skrūvgriezis 2. Suku turekļa vāks

Noņemiet sukas turekļa vāciņus ar skrūvgrieža palīdzību. Izņemiet nolietoto ogle sukā, ievietojiet jaunas un nostipriniet sukas turekļa vāciņus. Lai saglabātu produkta DROŠU un UZTICAMU darbību, remontdarbus, apkopi un regulēšanu uzticiet veikt tikai Makita pilnvarotam apkopes centram un vienmēr izmantojiet tikai Makita rezerves daļas.

PAPILDU PIEDERUMI

⚠ UZMANĪBU:

- Šādi piederumi un rīki tiek ieteikti lietošanai ar šajā pamācībā aprakstīto Makita instrumentu. Jebkādu citu piederumu un rīku izmantošana var radīt traumu briesmas. Piederumu vai rīku izmantojiet tikai tā paredzētajam mērķim.

Ja jums vajadzīga palīdzība vai precīzāka informācija par šiem piederumiem, vērsieties savā tuvākajā Makita apkopes centrā.

- Zāģa asmeņi
- Virzošā sliede
- Garenzāģēšanas ierobežotājs (vadotnes lineāls)
- Leņķveida mērinstruments
- Skava
- Seššķautņu uzgriežņu atslēga
- Lokšņu komplekts virzošajām sliedēm
- Gumijas lokšņu komplekts virzošajām sliedēm
- Pozīcijas lokšņu komplekts virzošajām sliedēm

PIEZĪME:

- Daži sarakstā norādītie izstrādājumi var būt iekļauti instrumenta komplektācijā kā standarta piederumi. Tie dažādās valstīs var būt atšķirīgi.

SPECIFIKACIJOS

Modelis		SP6000
Pjovimo disko skersmuo		165 mm
Didž. pjovimo gylis	90° kampu	56 mm
	45° kampu	40 mm
	48° kampu	38 mm
Greitis be apkrovos (min ⁻¹)		2 200 - 6 400
Bendras ilgis		341 mm
Neto svoris		4,1 kg
Saugos klasė		II/II

- Atlikame tęsinius tyrimus ir nuolatos tobuliname savo gaminius, todėl čia pateikiamos specifikacijos gali būti keičiamos be įspėjimo.
- Skirtingose šalyse specifikacijos gali skirtis.
- Svoris gali priklausyti nuo priedo (-ų). Lengviausias ir sunkiausias deriniai pagal EPTA 2014 m. sausio mėn. procedūrą yra nurodyti lentelėje.

Numatytoji naudojimo paskirtis

Įrankis skirtas įleidžiamiesiems pjūviams atlikti. Įrankis taip pat skirtas medžiui prapjauti ir skersiniams pjūviams atlikti. Jei įrankyje įtaisytas tinkamas diskinio pjūklo diskas, įrankiu galima pjauti aliuminio plokštę, plastiko plokštę, dailylentes ir metalinius sienų apkalus.

Maitinimo šaltinis

Šį įrankį reikia jungti tik prie tokio maitinimo šaltinio, kurio įtampa atitinka nurodytąją įrankio duomenų plokštelėje; galima naudoti tik vienfazį kintamosios srovės maitinimo šaltinį. Jie yra dvigubai izoliuoti, todėl gali būti naudojami prijungus prie elektros lizdų be atžeminimo laido.

Triukšmas

Tipiškas A svertinis triukšmo lygis nustatytas pagal EN62841-2-5:

- Garso slėgio lygis (L_{pA}): 95 dB (A)
- Garso galios lygis (L_{WA}): 103 dB (A)
- Paklaida (K): 3 dB (A)

PASTABA: Paskelbta (-os) triukšmo reikšmė (-ės) nustatyta (-os) pagal standartinį testavimo metodą ir jį galima naudoti vienam įrankiui palyginti su kitu.

PASTABA: Paskelbta (-os) triukšmo reikšmė (-ės) taip pat gali būti naudojama (-os) norint preliminariai įvertinti triukšmo poveikį.

ĮSPĖJIMAS: Dėvėkite ausų apsaugą.

ĮSPĖJIMAS: Faktiškai naudojant elektrinį įrankį, keliamo triukšmo dydis gali skirtis nuo paskelbtos (-ų) reikšmės (-ių), priklausomai nuo būdų, kuriais yra naudojamas šis įrankis, ir ypač nuo to, kokio tipo ruošinys apdirbamas.

ĮSPĖJIMAS: Siekdami apsaugoti operatorių, būtinai įvertinkite saugos priemones, remdamiesi vibracijos poveikio įvertinimu esant faktinėms naudojimo sąlygoms (atsižvelgdami į visas darbo ciklo dalis, pavyzdžiui, ne tik kiek laiko įrankis veikia, bet ir kiek kartų jis yra išjungiamas bei kai jis veikia be apkrovų).

Vibracija

Vibracijos bendroji vertė (trijų ašių vektorinė suma) nustatyta pagal EN62841-2-5:

- Darbo režimas: medžio pjovimas
- Vibracijos emisija ($a_{h,W}$): 2,5 m/s² arba mažiau
- Paklaida (K): 1,5 m/s²
- Darbo režimas: metalo pjovimas
- Vibracijos emisija ($a_{h,M}$): 2,5 m/s² arba mažiau
- Paklaida (K): 1,5 m/s²

PASTABA: Paskelbta (-os) vibracijos bendroji (-osios) reikšmė (-ės) nustatyta (-os) pagal standartinį testavimo metodą ir jį galima naudoti vienam įrankiui palyginti su kitu.

PASTABA: Paskelbta (-os) vibracijos bendroji (-osios) reikšmė (-ės) taip pat gali būti naudojama (-os) norint preliminariai įvertinti vibracijos poveikį.

⚠️ISPĖJIMAS: Faktiškai naudojant elektrinį įrankį, keliamos vibracijos dydis gali skirtis nuo paskelbtos (-ų) reikšmės (-ių), priklausomai nuo būdų, kuriais yra naudojamas šis įrankis, ir ypač nuo to, kokio tipo ruošinys apdirbamas.

⚠️ISPĖJIMAS: Siekdami apsaugoti operatorių, būtina įvertinkite saugos priemones, remdamiės vibracijos poveikio įvertinimu esant faktinėms naudojimo sąlygoms (atsižvelgdami į visas darbo ciklo dalis, pavyzdžiui, ne tik kiek laiko įrankis veikia, bet ir kiek kartų jis yra išjungiamas bei kai jis veikia be apkrovų).

Atitiktis deklaracijoms

Tik Europos šalis

Atitiktis deklaracijoms įtrauktos į šios naudojimo instrukcijos A priedą.

Bendrieji įspėjimai dirbant elektriniais įrankiais

⚠️ISPĖJIMAS Perskaitykite visus saugos įspėjimus, nurodymus, peržiūrėkite paveikslėlius ir technines sąlygas, pateiktas su šiuo elektriniu įrankiu. Nesilaikant toliau pateiktų nurodymų, galima patirti elektros šoką, sunkų sužalojimą ir (arba) sukelti gaisrą.

Išsaugokite visus įspėjimus ir instrukcijas, kad galėtumėte jas peržiūrėti ateityje.

Terminas „elektrinis įrankis“ pateiktuose įspėjimuose reiškia į maitinimo tinklą jungiamą (laidinį) elektrinį įrankį arba akumuliatoriaus maitinamą (belaidį) elektrinį įrankį.

Įspėjimai dėl diskinio pjūklo saugos

Pjovimo darbų tvarka

- 1. ⚠️PAVOJUS:** rankas laikykite kuo toliau nuo pjovimo vietos ir geležtės. Kitą ranką laikykite ant pagalbines rankenas arba variklio korpuso. Jei pjūklą laikysite abiem rankomis, geležtė negalės jų įpjauti.
- 2. Nekiškite rankų po ruošiniu.** Po ruošiniu apsauginis įtaisas negali apsaugoti jūsų nuo geležtės.
- 3. Pjovimo gylį sureguliuokite pagal ruošinio storį.** Po ruošiniu turi matytis mažiau nei vienas visas geležtės dantis.
- 4. Pjaudami ruošinio jokiū būdu nelaikykite rankose ar tarp kojų.** Ruošinį pritvirtinkite prie stabilaus darbastalio. Labai svarbu tinkamai paremti ruošinį, kad kiltų kuo mažiau pavojų kūnui, kad nelinktų diskas ir kad neprarastumėte kontrolės.

► Pav.1

- 5. Atikdami darbus, kurių metu tvirtinimo detalė gali paliesti paslėptus laidus, laikykite pjovimo įrankį tik už izoliuotų, laikyti skirtų paviršių.** Jei tvirtinimo detalės palies laidą su įtampa, elektrinio įrankio metalinėmis dalimis taip pat gali imti tekėti srovė, todėl operatorius gali patirti elektros šoką.
- 6. Darydami prapjovimo darbus, visuomet**

naudokite prapjovos kreiptuvą arba tiesią krašto kreipiamąją. Taip pjūvis bus tikslesnis ir sumažės tikimybė, kad geležtė užstrigs ruošinyje.

- 7. Diskus naudokite tik su tinkamo dydžio ir formos (deimantinėmis ar apvaliomis) angomis.** Diskai, kurie netinka montavimo pjūkle įtaisams, slinks nuo centro į šalį, todėl nesuvaldysite įrankio.
- 8. Niekada nenaudokite apgadintų arba netinkamų geležtės poveržlių arba varžto.** Geležtės poveržlės ir varžtai specialiai pagaminti šiam pjūklui, kad jis būtų optimaliai našus ir saugus.

Atatranks priežastys ir su ja susiję įspėjimai

- atatranka yra staigi reakcija į pjūklo disko įstrigimą, sulinkimą ar išsiderinimą, dėl kurių nevaldomas pjūklas pakyla ir iššoka iš ruošinio operatoriaus link;
- jei diskas įstringa arba smarkiai sulinksta užsidarant įpjovai, diskas stringa, o variklio reakcija staigiai nukreipia įrankį operatoriaus link;
- Jei geležtė susisuka arba išsiderina įpjovoje, gali-nėje geležtės briaunoje esantys dantukai gali įlįsti į medienos paviršių ir todėl geležtė iššoks iš įpjovos operatoriaus link.

Atatranka yra piktnaudžiavimo pjūklui ir (arba) netinkamų darbo procedūrų ar sąlygų rezultatas, jos galima išvengti vadovaujantis toliau nurodytomis atsargumo priemonėmis.

- 1. Tvirtai laikykite pjūklą abiem rankomis, rankas laikykite taip, kad jos atlaikytų atatranks jėgą.** Stovėkite bet kurioje geležtės pusėje, bet ne vienoje linijoje su ja. Dėl atatranks pjūklas gali atšokti atgal, bet operatorius gali valdyti atatranks jėgą, jei imasi reikiamų atsargumo priemonių.
- 2. Jei geležtė sulinksta arba pjovimas prtraukiamas dėl kitos priežasties, atleiskite gaiduką ir nejudinkite pjūklo ruošinyje, kol geležtė visiškai nesustos.** Jokiū būdu nemėginkite ištraukti pjūklo iš ruošinio arba traukti pjūklo atgal, kol geležtė juda, antraip įvyks atatranka. Apžiūrėkite ir imkitės priemonių geležtės sulinkimo priežastčiai pašalinti.
- 3. Įstatydami pjūklą atgal į ruošinį, pjūklo diską įstatykite įpjovos centre taip, kad pjūklo dantukai nebūtų įstrigę ruošinyje.** Jei pjūklo diskas linksta, jis gali pakilti arba iššokti iš ruošinio vėl įjungus pjūklą.
- 4. Dideles plokštes paremkite ir taip sumažinkite pavojų, kad geležtė bus suspausta ir iššoks.** Didelės plokštės linksta dėl savo pačių svorio. Atramas reikia dėti po plokšte iš abiejų pusių, netoli pjovimo linijos ir greta plokštės briaunos.

► Pav.2

► Pav.3

- 5. Nenaudokite atšipusių ar sugadintų geležčių.** Naudojant nepagalastas arba netinkamai nustatytas geležtes gaunama siaura įpjova, dėl to padidėja trintis, linksta geležtė ir kyla atatranka.
- 6. Prieš atliekant pjūvį, geležtės gylis ir nuožulnumo reguliavimo-fiksavimo svirtys turi būti gerai pritvirtintos ir priveržtos.** Jei geležtės reguliavimas pasikeis pjaunant, geležtė gali sulinkti ar iššokti.
- 7. Būkite ypač atsargūs, kai darote pjūvius**

sienose arba kitose aklinose vietose. Išsikišusi geležtė gali pataikyti į objektus ir nuo jų atšokti.

8. **VISUOMET tvirtai laikykite įrankį abiem rankomis. NEDĖKITE rankų, kojų ar kitos kūno dalies po įrankio pagrindu ar už pjūklo, ypač darydami kryžminius pjūvius.** Įvykus atatrakai, pjūklas gali atšokti atgal per jūsų ranką ir sunkiai sužaloti.

► Pav.4

9. **Nedirbkite pjūklų per jėgą. Stumkite pjūklą tokiu greičiu, kad geležtė pjautų nelėtėdama.** Spaudžiant pjūklą, galimi nelygūs pjūviai, tikslumo sumažėjimas ir atatranka.

Apsauginio skydo veikimas

1. **Prieš kiekvieną naudojimą patikrinkite, ar apsauginis įtaisas tinkamai užsidaro. Nenaudokite pjūklo, jei apsauginis įtaisas nejuda laisvai ir iš karto neuždengia geležtės. Jokiū būdu neįtvirtinkite ir nepririškite apsauginio skydo, kad diskas liktų neuždengtas.** Jei pjūklą netyčia išmesite, apsauginis įtaisas gali sulinkti. Patikrinkite, ar apsauginis įtaisas juda laisvai ir neliečia geležtės ar kitos dalies, esant bet kokiam pjūvio kampui ir gyliui.
2. **Patikrinkite apsauginio įtaiso grąžinimo spyruoklės veikimą ir būklę. Jei apsauginis įtaisas ir spyruoklė neveikia tinkamai, prieš naudojimą juos reikia sutvarkyti.** Apsauginis įtaisas gali veikti lėtai dėl pažeistų dalių, lipnių nuosėdų ar susikaupusių nešvarumų.
3. **Išitikinkite, ar pjūklo pagrindo plokštė nepasislinks, darant įleidžiamąjį pjūvį.** Diskui pasislinkus į šoną, jis sulinks ir gali atšokti.
4. **Prieš dėdami pjūklą ant suolo ar grindų, patikrinkite, ar apsaugos įtaisas uždengia geležtę.** Neapsaugota iš inercijos judanti geležtė privers pjūklą važiuoti atgal, įpjauiant viską savo kelyje. Atkreipkite dėmesį į laiką, kurio reikia, kad geležtė sustotų atleidus jungiklį.

Papildomi įspėjimai dėl saugos

1. **Būkite ypač budrūs, kai pjaunate drėgną medieną, suslėgtus rąstus arba medį su šakomis.** Vienodu greičiu stumkite įrankį pirmyn, nemažindami pjūklo greičio, kad neperkaistų pjūklo galiukai, o jei pjaunate plastiką – kad jis neišsilydytų.
2. **Nemėginkite nuimti atpjautos medžiagos geležtei judant. Prieš imdami nupjautą medžiagą, palaukite, kol geležtė sustos.** Išjungus įrankį, geležtės dar sukasi iš inercijos.
3. **Nepjaukite vinių. Prieš pjaudami apžiūrėkite medieną ir išimkite visas vinis.**
4. **Platesnę pjūklo pagrindo dalį dėkite ant tos ruošinio dalies, kuri gerai paremta, o ne ant tos, kuri nukris baigus pjauti. Jei ruošinys trumpas arba smulkus, suspauskite jį spaustuvais. NEMĖGINKITE LAIKYTI TRUMPO RUOŠINIO RANKA!**

► Pav.5

5. **Prieš pastatydami įrankį, kai baigėte pjauti, išitikinkite, ar apatinis apsauginis įtaisas užsidarė, o geležtė visiškai sustojo.**
6. **Nemėginkite pjauti apskritu pjūklų apvertę jį spaustuvuose. Tai ypač pavojinga, todėl gali**

įvykti sunkus nelaimingas atsitikimas.

► Pav.6

7. **Kai kuriose medžiagose esama cheminių medžiagų, kurios gali būti nuodingos. Saugokitės, kad neįkvėptumėte dulkių ir nesiliestumėte oda. Laikykitės medžiagų tiekėjo saugos duomenų.**
8. **Nestabdykite spausdami pjūklo geležtę iš šono.**
9. **Nenaudokite šlifuojamųjų diskų.**
10. **Naudokite tik tokio skersmens pjovimo diską, koks yra nurodytas ant įrankio arba naudojimo instrukcijoje.** Naudojant netinkamo dydžio geležtę, ji gali būti netinkamai apsaugota arba netinkamai veiks apsauginis jos gaubtas, todėl galima sunkiai susižeisti.
11. **Geležtė turi būti aštri ir švari.** Ant geležtės esantys sukietėję sakai ar derva sulėtina pjovimą ir didina atatrankos pavojų. Valykite geležtę pirmiausia išimdami ją iš įrankio, tada nuvalydami sakų ir dervos šalinimo priemone, karštu vandeniu ar žibalu. Nenaudokite benzino.
12. **Naudodami įrankį, užsidėkite kaukę, saugančią nuo dulkių, ir klausos apsaugines priemones.**
13. **Visada naudokite pjaunamai medžiagai tinkamą pjūklo diską.**
14. **Naudokite tik tuos pjūklo diskus, ant kurių nurodytas sukimosi greitis prilygsta arba viršija ant įrankio nurodytą sukimosi greitį.**
15. **(Tik Europos šalims)**
Jei ketinate pjauti medieną arba panašią medžiagą, visada naudokite diskus, atitinkančius EN847-1.

SAUGOKITE ŠIAS INSTRUKCIJAS.

⚠ ĮSPĖJIMAS: NELEISKITE, kad patogumas ir gaminio pažinimas (įgyjamas pakartotinai naudojant) susilpnintų griežtą saugos taisyklių, taikytinų šiam gaminiui, laikymąsi. Dėl NETINKAMO NAUDOJIMO arba saugos taisyklių, kurios pateiktos šioje instrukcijoje, nesilaikymo galima rimtai susižeisti.

VEIKIMO APRAŠYMAS

⚠ PERSPĖJIMAS:

- Prieš reguliuodami įrenginį arba tikrindami jo veikimą visada patikrinkite, ar įrenginys išjungtas, o laido kištukas - ištrauktas iš elektros lizdo.

Pjovimo gylio reguliavimas

- Pav.7: 1. Suveržimo varžtas 2. Ašmenų apatinės ribos stabdiklis

⚠ PERSPĖJIMAS:

- Nustatę pjovimo gylį, visada saugiai užtvirtinkite suveržimo varžtą.

Atlaisvinkite gylio kreipiamosios suveržimo varžtą ir

pastumkite geležtės apatinės ribos stabdiklį iki norimo gylio ant padalų plokštelės. Nustaťę norimą pjovimo gylį, tvirtai užveržkite suveržimo varžtą. Norėdami pajauti švariau ir saugiau, nustatykite tokį pjovimo gylį, kad į ruošinį įeitų tik vienas disko dantis. Tinkamo pjovimo gylio pasirinkimas padeda sumažinti galimą ATATRANKOS pavojų, dėl kurios galima susižeisti.

PASTABA:

- Nustačius apatinį geležtės stabdiklį į norimą gylį ant padalų plokštelės padaromas apytikslis pjūvio gylis. Jei norite tikslaus pjūvio gylio, išmatuokite realų pjūtklo geležtės išsikišimą žemiau įrankio pagrindo.

Greitojo stabdymo mygtukas 2-3 mm gylio pjūviui naudojant kreiptuvą (priedą)

► **Pav.8:** 1. Sparčiojo sustabdymo mygtukas

Šiame įrankyje yra 2-3 mm gylio pjūviui naudojant kreiptuvą skirtas greitojo stabdymo mygtukas ant pavaros korpuso šalia galinės rankenėlės. Jis naudojamas norint išvengti nuolaužų ant ruošinio pjūvio. Padarykite 2-3 mm pirmąjį pjūvį, o tada - antrą įprasto gylio pjūvį. Jei norite gauti 2-3 mm gylio pjūvį, paspauskite stabdymo mygtuką į pjūtklo geležtės pusę. Tai patogiu norint išvengti nuolaužų ant ruošinio pjūvio. Jei norite atstatyti pjūvio gylį iš šios padėties, tiesiog patraukite mygtuką atgal.

► **Pav.9:** 1. Sparčiojo sustabdymo mygtukas

Įstrižųjų pjūvių darymas

► **Pav.10:** 1. Suveržimo varžtai 2. Įrankio pagrindas

Pakreipimas į dešinę

► **Pav.11:** 1. Teigiamas stabdiklis

Pasukite teigiamą stabdiklį taip, kad rodyklė ant jo rodytų vieną iš dviejų padėčių (vertikali 22,5°, horizontali 45°). Atsukite priekyje ir gale esančius suveržimo varžtus. Tuomet pakreipkite įrankio pagrindą, kol jis sustos ir pritvirtinkite pagrindą suveržimo varžtais. Jei norite gauti 48° įstrižą kampą, pastumkite svirtelę iki 48° žymės tiek, kiek galim pastumti. Pasukite teigiamą stabdiklį taip, kad rodyklė ant jo rodytų horizontalią padėtį. Tuomet pakreipkite įrankio pagrindą, kol jis sustos ir pritvirtinkite pagrindą suveržimo varžtais.

► **Pav.12:** 1. Svirtelė

Pakreipimas į kairę

► **Pav.13:** 1. Įstrižo kampo perjungimo svirtelė

Įrankį galima pakreipti į kairę 1° įstrižu kampu. Norėdami pakreipti 1° įstrižu kampu, atlaisvinkite priekyje ir gale esančius suveržimo varžtus, truputį pakreipkite įrankio rankeną į dešinę, tuomet vienu metu passtumkite dvi įstrižo kampo keitimo svirteles rodyklės, pažymėtos "-1", kryptimi. Tuomet, stumdami šias dvi svirteles, tuo pat metu palenkite įrankio rankeną į kairę. Užtvirtinkite pagrindą suveržimo varžtais.

PASTABA:

- Gražinus geležtę į dešinįjį kampą perjungimo svirtelė pati savaime grįžta į 0° padėtį.

Nutaikymas

► **Pav.14:** 1. Pagrindas 2. Pjovimo linija

Naudodami įrankį be kreipiklio (priedo)

Tiesiems pjūviams, sulygiuokite pagrindo priekyje pažymėtą „A“ padėtį su pjovimo linija. Įstrižiams 45° pjūviams, su pjovimo linija su lygiuokite „B“ padėtį.

Naudodami įrankį su kreipikliu (priedu)

Tiesiems pjūviams ir 45° įstrižiams pjūviams padaryti, sulygiuokite pagrindo priekyje pažymėtą „A“ padėtį su pjovimo linija.

Jungiklio veikimas

► **Pav.15:** 1. Atlaisvinimo mygtukas 2. Gaidukas

⚠ PERSPĖJIMAS:

- Prieš jungdami įrenginį visada patikrinkite, ar jungiklis gerai įsijungia, o atleistas grįžta į padėtį OFF (išjungta).

Kad svirtinis jungiklis nebūtų atsitiktinai nuspaustas, yra atlaisvinimo svirtelė. Norėdami įjungti įrankį, passtumkite atlaisvinimo svirtelę ir patraukite svirtinį jungiklį. Norėdami sustabdyti, atleiskite gaiduką.

Greičio reguliavimo diskas

► **Pav.16:** 1. Greičio reguliavimo diskas

Įrankio greitį galima reguliuoti sukant greičio reguliavimo ratuką. Sukant ratuką skaičiaus 6 link, greitis didinamas; greitis mažinamas, kai ratukas sukamas skaičiaus 1 link.

Kaip išrinkti reikiamą pjovimo greitį, žr. lentelėje. Tačiau tinkamas greitis gali priklausyti nuo pjovinio tipo ir storio. Jeigu greitis didesnis, pjovinys pjaunamas greičiau, tačiau taip sutrumpėja ašmenų naudojimo laikas.

Skaicius	min ⁻¹
1	2 200
2	2 700
3	3 800
4	4 900
5	6 000
6	6 400

▲ PERSPĖJIMAS:

- Greičio reguliavimo diską galima sukti tik iki 6 ir atgal iki 1. Nesukite jo toliau, nes gali sutrikti greičio reguliavimo funkcija.
- Greičio reguliavimo ratukas nėra skirtas mažo greičio pjovimo diskams naudoti – jis skirtas greičiui, reikiamam ruošiniui tinkamai pjauti, nustatyti. Naudokite tik tuos pjovimo diskus, kurie yra numatyti bent maksimaliam greičiui, įrankiui veikiant be apkrovos, nurodytam SPECIFIKACIJOSE.

Įrenginiais, turinčiais elektroninę funkciją, lengva naudotis dėl toliau nurodytų veikimo savybių.

Perkrovos saugiklis

Jei įrankis perkrautas ir srovė viršija tam tikrą lygį, įrankis automatiškai išsijungia saugodamas variklį.

Nuolatinis greičio reguliavimas

Elektroninis greičio reguliavimas siekiant užtikrinti pastovų greitį. Galima tiksliai nušifuoti paviršių, nes sukimosi greitis būna vienodas net esant didelei apkrovai.

Tolygaus įjungimo funkcija

Tolygus įjungimas dėl nuslopinto įjungimo smūgio.

SURINKIMAS

▲ PERSPĖJIMAS:

- Prieš taisydami įrenginį visada patikrinkite, ar jis išjungtas, o laido kištukas - ištrauktas iš elektros lizdo.

Šešiabriaunio veržliarakčio laikymas

► **Pav.17:** 1. Šešiabriaunis veržliaraktis

Šešiakampis veržliaraktis yra pritvirtintas prie įrankio. Norėdami nuimti šešiakampį veržliarakį, tiesiog jį traukite.

Jei norite įstatyti šešiakampį veržliarakį, padėkite jį ant laikiklio ir įkiškite kiek galima toliau.

Pjovimo disko sumontavimas arba nuėmimas

▲ PERSPĖJIMAS:

- Nenaudokite pjovimo diskų, kurie neatitinka šiose instrukcijose pateiktų charakteristikų.
- Naudokite tik tuos pjovimo diskus, kurie yra numatyti bent maksimaliam greičiui, įrankiui veikiant be apkrovos, nurodytam SPECIFIKACIJOSE.
- Patikrinkite, ar sumontuotos geležtės dantys įrankio priekyje nukreipti aukštyn.
- Pjovimo disko sumontavimui arba nuėmimui naudokite tik „MAKITA“ veržliarakį.

Norėdami nuimti geležtę paspauskite atrakinimo

mygtuką ir atrakininkite viršutinės ribos stabdiklį.

► **Pav.18:** 1. Atlaisvinimo mygtukas 2. Fiksavimo svirtelė

Pasukite užrakinimo svirtelę ir užrakininkite pjūklo galvutę geležčiai pakeist.

► **Pav.19:** 1. Fiksavimo svirtelė

Nuspaudę atlaisvinimo mygtuką ir pasukę fiksavimo svirtelę, nuleiskite rankeną taip, kad fiksavimo smaigas patektų į griovelį, sudarytą fiksavimo svirties ir gylio kreiptuvo su skalės plokšte. Įsitikinkite, kad fiksavimo smaigas pataiko į griovelį.

Nuspauskite veleno fiksatorių, kad diskas negalėtų sukstis ir, naudodami veržliarakį, atsukite šešiakampį varžtą, sukdamį prieš laikrodžio rodyklę. Po to ištraukite šešiakampį varžtą, nuimkite išorinę tarpinę ir diską.

► **Pav.20:** 1. Šešiabriaunis veržliaraktis 2. Ašies fiksatorius

Jei norite sumontuoti diską, vykdykite nuėmimo procedūrą atvirkščia tvarka. PATIKRINKITE, AR SAUGIAI UŽVERŽĖTE ŠEŠIAKAMPĮ VARŽTĄ, SUKdami PAGAL LAIKRODŽIO RODYKLĘ.

► **Pav.21:** 1. Šešiakampis varžtas 2. Išorinė tarpinė 3. Pjovimo diskas 4. Vidinis kraštas

Disko apsauginio gaubto valymas

Keisdami diskinio pjūklo diską, būtinai išvalykite ir apsauginiam disko įtaise susikaupusias pjūvenas, kaip nurodyta techninės priežiūros skyriuje. Visgi prieš kiekvieną naudojimą būtinai patikrinkite, ar tinkamai veikia apsauginis įtaisas.

Dulkių siurblio prijungimas

► **Pav.22:** 1. Dulkių siurblys 2. Dulkių anga

Norėdami atlikti švario pjovimo operaciją, prie šio įrankio prijunkite „MAKITA“ dulkių siurbį. Prie dulkių prievado prijunkite dulkių siurblio žarną, kaip parodyta piešinyje.

NAUDOJIMAS

Pjaustymas dalimis (įprastas pjaustymas)

▲ PERSPĖJIMAS:

- Atsargiai tiesiai traukite įrankį į priekį. Traukiant jėga arba sukant įrankį, variklis gali perkaisti, atsirasti pavojinga atitranka, kuri kelia pavojų sunkiai susižeisti.
- Niekuomet neikiškite jokios kūno dalies po įrankio pagrindu pjaustydami dalimis, ypač pradžioje. Tai gali sukelti rimtų sužalojimų. Geležtė po įrankio pagrindu nepridengta.

Tvirtai laikykite įrankį. Įrankyje įtaisytos priekinė ir galinė rankenos. Norėdami tvirtai laikyti įrankį, laikykite už abiejų rankenų. Jei pjūklas laikomas abiem rankomis, geležtė jų nesužeis. Padėkite įrankį pagrindu ant ruošinio, kurį pjausite, tačiau disko geležtė neturi jo liesti. Tada paspauskite atlaisvinimo mygtuką, pasukite įrankį ir palaukite, kol diskas pradės sukstis visu greičiu. Dabar

lėtai spauskite pjūklą galvutę iki nustatyto pjovimo gylio ir tiesiog stumkite įrankį ruošinio paviršiumi į priekį, laikydami lygiai ir tolygiai stumdami, kol baigsite pjauti. Išlaikykite tiesią pjovimo liniją ir tolygiai stumkite įrankį, tada pjūviai bus tiesūs. Jei pjaudami nukrypote nuo numatytos pjovimo linijos, nebandykite pasukti arba jėga gražinti įrankio į pjovimo liniją. Tai gali stabdyti geležtę ir sukelti pavojingą atatrąną bei rimtą sužalojimą. Atleiskite jungiklį, palaukite, kol geležtė sustos ir atitraukite įrenginį. Sulygiuokite įrankį pagal naują pjovimo liniją ir vėl pradėkite pjauti. Stenkitės išvengti tokios padėties, kai į įrenginį valdytoją nuo pjūklą leidžia atplaišos ir dulkės. Užsidėkite apsauginius akinius, kad išvengtumėte sužalojimų.

► **Pav.23**

Naudodami įrankį su kreipikliu (priedu)

► **Pav.24:** 1. Reguliavimo varžtai

Padėkite įrankį ant galinės kreipiklio dalies. Pasukite du reguliavimo varžtus ant įrankio pagrindo taip, kad įrankis slystų lygiai, nebarškėdamas. Tvirtai laikykite įrankį. Įrankyje įrengta priekinė ir galinė rankenos. Norėdami tvirtai laikyti įrankį, laikykite už abiejų rankenų. Pasukite įrankį, nuspauskite įrankį iki nustatyto pjūvio gylio ir pjaukite išilgai apsaugos nuo nuolaužų per visą judesio ilgį. Apsaugos nuo nuolaužų kraštas atitinka pjūvio kraštą.

Pjaudami įstrižai su kreipikliu, paslinkite svirtelę ant įrankio pagrindo taip, kad įrankis nenuvirštų ant šono.

► **Pav.25:** 1. Stumdama svirtelė

Pastumkite stumdomą svirtelę ant įrankio pagrindo rodyklės kryptimi taip, kad ji patektų į įpjautą griovelį kreipiklyje.

Prapjovos kreiptuvus (kreipiamoji liniuotė) (papildomą priedą)

► **Pav.26:** 1. Prapjovos kreiptuvus (kreipiamoji liniuotė)

Patogus prapjovos kreiptuvus leidžia padaryti labai tikslius tiesius pjūvius. Tiesiog priglauskite prapjovos kreiptuvą prie ruošinio šono ir pagrindo priekyje bei galia esančiais varžtais užtvirtinkite jį tokioje padėtyje. Taip galima padaryti ir vienodo pločio pjūvius. Apverstas prapjovos kreiptuvus (kreipiklis) taip pat veikia kaip pagalbinis įrankio pagrindas.

Pjovimas į gylį (išpjovimas)

► **Pav.27:** 1. Įrankio pagrindo galinė briauna
2. Fiksuotas stabdiklis

⚠ PĖSPĖJIMAS:

- Norėdami išvengti atatrąnos laikykitės šių nurodymų.

Naudodami įrankį be kreipiklio

Padėkite įrankį ant ruošinio, atrėmę galinę įrankio pagrindo kraštinę į fiksuotą stabdiklį, įrengtą operatoriaus.

Naudodami įrankį su kreipikliu

Padėkite įrankį ant kreipiklio, atrėmę galinę įrankio pagrindo kraštinę į fiksuotą stabdiklį, pritvirtintą ant kreipiklio.

Tvirtai laikykite įrankį viena ranka ant priekinės rankenos ir kita įrankio rankenos. Tada paspauskite atlaisvinimo mygtuką, pasukite įrankį ir palaukite, kol diskas pradės sukintis visu greičiu. Dabar lėtai spauskite pjūklą galvutę iki nustatyto pjovimo gylio ir tiesiog stumkite įrankį pirmyn iki norimo pjūvio gylio.

PASTABA:

- Žymės disko apsaugos šonuose rodo priekinį ir galinį pjūklą disko pjovimo taškus (A 160 mm skersmeniui ir B 165 mm skersmeniui), esant maksimaliam pjūvio gyliui ir naudojant kreiptuvą.

► **Pav.28**

Kreipiantysis įrenginys (priedai)

Įžambaus matuoklio naudojimas (priedas) leidžia padaryti tikslius įžambius pjūvius, skirtus kampams ir pritaikymo darbams.

Veržtuvo naudojimas (priedas) užtikrina, kad ruošinys tvirtai laikomas ant stalo.

TECHNINĖ PRIEŽIŪRA

⚠ PĖSPĖJIMAS:

- Prieš apžiūrėdami ar taisydami įrenginį visada patikrinkite, ar jis išjungtas, o laido kištukas - ištrauktas iš elektros lizdo.
- Išvalykite apsauginį įtaisą, kad neliktų susikaupusių pjuvenų, kurios gali trukdyti veikti apsaugos sistemai. Nešvari apsaugos sistema gali tinkamai neveikti ir dėl to galima sunkiai susižaloti. Norint išvalyti efektyviausiai, reikia naudoti suslėgtą orą. **Pučiant pjuvenas iš apsauginio įtaiso, būtina naudoti tinkamą akių ir kvėpavimo organų apsaugą.**
- Niekada nenaudokite gazolino, benzino, tirpiklio, spirito arba panašių medžiagų. Gali atsirasti išblukimų, deformacijų arba įtrūkimų.

90° ir 45° kampo (vertikalaus ir 45° kampo) pjūvio tikslumo nustatymas

Šis nustatymas atliktas gamykloje. Tačiau, jeigu jis neveikia, šešiakampių veržliarakčių pareguliuokite reguliavimo varžtus, trikampės liniuotės, keturkampio ir pan. įrankių pagalba patikrindami, ar diskas ir pagrindas sudaro 90° arba 45° kampa.

► **Pav.29:** 1. Reguliavimo varžtas 90° nustatymui

► **Pav.30:** 1. Reguliavimo varžtas 45° nustatymui

PASTABA:

- Negalima atlikti 22,5°, 48° ir -1° pjūvio tikslumo reguliavimo.

Anglinių šepetėlių keitimas

► Pav.31: 1. Ribos žymė

Periodiškai išimkite ir patikrinkite anglinius šepetėlius. Pakeiskite juos, kai nusidėvi iki ribos žymės. Laikykite anglinius šepetėlius švariis ir laisvai įslenkančius į laikiklius. Abu angliniai šepetėliai turėtų būti keičiami tuo pačiu metu. Naudokite tik identiškus anglinius šepetėlius.

► Pav.32: 1. Atsuktuvas 2. Šepetėlio laikiklio dangtelis

Jei norite nuimti šepetėlių laikiklių dangtelius, pasinaudokite atsuktuvu. Išimkite sudėvėtus anglinius šepetėlius, įdėkite naujus ir įtvirtinkite šepetėlį laikiklio dangtelį. Kad gaminyt būtų SAUGUS ir PATIKIMAS, jį taisyti, apžiūrėti ar vykdyti bet kokią kitą priežiūrą ar derinimą turi įgaliotasis kompanijos „Makita“ techninės priežiūros centras; reikia naudoti tik kompanijos „Makita“ pagamintas atsargines dalis.

PASIRENKAMI PRIEDAI

⚠ PERSPĖJIMAS:

- Su šiame vadove aprašytu įrenginiu „Makita“ rekomenduojama naudoti tik nurodytus priedus ir papildomus įtaisus. Jeigu bus naudojami kitojie priedai ar papildomi įtaisai, gali būti sužaloti žmonės. Priedus arba papildomus įtaisus naudokite tik pagal paskirtį.

Jeigu norite daugiau sužinoti apie tuos priedus, kreipkitės į artimiausią „Makita“ techninės priežiūros centrą.

- Pjovimo diskai
- Kreiptuvas
- Prapjovos kreiptuvas (kreipiamoji liniuotė)
- Įžambus matuoklis
- Veržtuvas
- Šešiakampis veržliaraktis
- Kreiptuvui skirtas lakštų rinkinys
- Kreiptuvui skirtas guminių lakštų rinkinys
- Kreiptuvui skirtas pozicionavimo lakštų rinkinys

PASTABA:

- Kai kurie sąraše esantys priedai gali būti pateikti įrankio pakuotėje kaip standartiniai priedai. Jie įvairiose šalyse gali skirtis.

TEHNILISED ANDMED

Mudel	SP6000	
Tera läbimõõt	165 mm	
Max löikesügavus	90° nurga juures	56 mm
	45° nurga juures	40 mm
	48° nurga juures	38 mm
Pöörlemissagedus koormuseta (min ⁻¹)	2 200 - 6 400	
Kogupikkus	341 mm	
Netomass	4,1 kg	
Kaitseklass	□/II	

- Meie pideva uuringu- ja arendusprogrammi tõttu võidakse tehnilisi andmeid muuta ilma sellest ette teatamata.
- Tehnilised andmed võivad riigiti erineda.
- Kaal võib erineda olenevalt lisaseadis(t)est. Kergeim ja raskeim kombinatsioon EPTA-protseduuri 01/2014 kohaselt on toodud tabelis.

Kavandatud kasutus

Tööriist on spetsiaalselt ette nähtud puidu sukelduslöi- gete tegemiseks. Samuti on tööriist ette nähtud puidu piki ja risti puusüüga lõikamiseks. Kui tööriist on varus- tatud sobiva ketassaeteraga, siis saab seadet kasutada ka alumiiniumist plaadi, plastist plaadi, välisviimistlus- plaadi ja metallist seinapaneelide jaoks.

Toiteallikas

Seadet võib ühendada ainult andmesildil näidatud pingele vastava pingega toiteallikaga ning seda saab kasutada ainult ühefaasilisel vahelduvvoolutoitel. Seadmel on kahekordne isolatsioon ning seega võib seda kasutada ka ilma maandusjuhtmeta pistikupesasa ühendatult.

Müra

Tüüpiline A-korrigeeritud müratase vastavalt EN62841-2-5:

Müraarõhutase (L_{pA}): 95 dB (A)

Müra võimsustase (L_{WA}): 103 dB (A)

Määramatus (K): 3 dB (A)

MÄRKUS: Deklareeritud müra väärtust (väärtuseid) on mõõdetud kooskõlas standardse katsemeetodiga ning seda võib kasutada ühe seadme võrdlemiseks teisega.

MÄRKUS: Deklareeritud müra väärtust (väärtu- seid) võib kasutada ka mürataseme esmaseks hindamiseks.

⚠️ HOIATUS: Kasutage kõrvakaitsmeid.

⚠️ HOIATUS: Müratase võib elektritööriista tege- likkuses kasutamise ajal erineda deklareeritud väärtus(t)est olenevalt tööriista kasutusviisidest ja eriti töödeldavast toorikust.

⚠️ HOIATUS: Rakendage operaatori kaitsmi- seks kindlasti piisavaid ohutusabinõusid, mis põhinevad hinnangulisel müratasemel tegelikus tööolukorras (võttes arvesse tööperioodi kõiki osasid, näiteks korrad, kui seade lülitatakse välja ja seade töötab tühikäigul, lisaks tööajale).

Vibratsioon

Vibratsiooni koguväärtus (kolmeteljeliste vektorite summa) määratud vastavalt EN62841-2-5:

Töörežiim: puidu lõikamine

Vibratsioonitase ($a_{h,W}$): 2,5 m/s² või vähem

Määramatus (K): 1,5 m/s²

Töörežiim: metalli lõikamine

Vibratsioonitase ($a_{h,M}$): 2,5 m/s² või vähem

Määramatus (K): 1,5 m/s²

MÄRKUS: Deklareeritud vibratsiooni koguväärtust (-väärtuseid) on mõõdetud kooskõlas standardse katsemeetodiga ning seda võib kasutada ühe seadme võrdlemiseks teisega.

MÄRKUS: Deklareeritud vibratsiooni koguväärtust (-väärtuseid) võib kasutada ka mürataseme esma- seks hindamiseks.

⚠️ HOIATUS: Vibratsioonitase võib elektritöö- riista tegelikkuses kasutamise ajal erineda dekla- reeritud väärtus(t)est olenevalt tööriista kasutus- viisidest ja eriti töödeldavast toorikust.

⚠️ HOIATUS: Rakendage operaatori kaitsmi- seks kindlasti piisavaid ohutusabinõusid, mis põhinevad hinnangulisel müratasemel tegelikus tööolukorras (võttes arvesse tööperioodi kõiki osasid, näiteks korrad, kui seade lülitatakse välja ja seade töötab tühikäigul, lisaks tööajale).

Vastavusdeklaratsioon

Ainult Euroopa riikide puhul

Vastavusdeklaratsioonid on selle juhendi A-lisas.

Üldised elektritööriistade ohutushoiatused

⚠️ HOIATUS Lugege läbi kõik selle elektritööriis- taga kaasas olevad ohutushoiatused, juhised, illust- ratsioonid ja tehnilised andmed. Alljärgnevate juhiste eiramine võib põhjustada elektrilöögi, süttimise ja/või

raske kehavigastuse.

Hoidke edaspidisteks viide- teks alles kõik hoiatused ja juhtnõõrid.

Hoiatustes kasutatud termini „elektritööriist“ all peetakse silmas elektriga töötavaid (juhtmega) elektritööriistu või akuga töötavaid (juhtmeta) elektritööriistu.

Ketassae ohutusnõuded

Lõikamine

1. **⚠OHT:** Hoidke käed lõikepiirkonnast ja -terast eemal. Hoidke oma teist kätt abikäepidemel või mootori korpusel. Kui tööriista hoitakse mõlema käega, siis ei satu need lõiketera ette.
2. **Ärge kummardage töödeldava detaili alla.** Piire ei kaitse teid lõiketera eest töödeldava detaili all.
3. **Reguleerige lõikesügavust vastavalt töödeldava detaili paksusele.** Töödeldava detaili all peavad olema näha lõiketera hambad vähem kui terve hamba kõrguse ulatuses.
4. **Ärge hoidke mitte kunagi töödeldavat detaili lõikamise ajal käes ega põlve peal.** Kinnitage töödeldav detail stabiilsele alusele. Oluline on töödeldavat detaili õigesti toestada, et vähendada keha kaitseta detailimist, lõiketera kinnikiilumist või kontrolli kaotust.

► Joon.1

5. **Hoidke elektritööriista isoleeritud käepidemetest, kui töötate kohtades, kus lõikeriist võib kokku puutuda peidetud juhtmete või tööriista enda toitejuhtmega.** Kokkupuude voolu all oleva juhtmega võib pingestada ka elektritööriista katmata metallosad ning operaator võib saada elektrilöögi.
6. **Pikilõikamisel kasutage alati piiret või sirge serva juhikut.** See parandab lõike täpsust ja vähendab lõiketera kinnikiilumise võimalust.
7. **Kasutage alati õige suuruse ja kujuga (teemata valise asemel) võlliaukudega lõiketerasid.** Sae konstruktsiooniga mitteühivad lõiketerad hakkavad liikuma ekstsentriliselt, põhjustades kontrolli kaotuse tööriista üle.
8. **Ärge kasutage kahjustunud ega nõuetele mittevastavaid lõiketera seibe ega polti.** Optimaalse töövõime ja -ohutuse tagamiseks on lõiketera seibid ja polt spetsiaalselt välja töötatud teie saele.

Tagasilöögi põhjused ja sellega seotud hoiatused

- tagasilöökk on äkiline reaktsioon kinni kiilunud, kinni pigistatud või orientatsiooni kaotanud saeterale, mis põhjustab tööriista üleskerkimist ja väljumist töödeldavast detailist operaatori poole;
- kui lõiketera on sisselõikesse tihedalt kinni pigistatud või kinni kiilunud, siis lõiketera seiskub ja mootori reaktsiooni tõttu juhitakse seade kiiresti tagasi operaatori poole;
- kui lõiketera on sisselõikesse vändunud või orientatsiooni kaotanud, võivad lõiketera tagumise serva hambad kaevuda puidu pealispinda ning põhjustada lõiketera ülespoole tõusmise sisselõikest ja pörkimise tagasi operaatori poole.

Tagasilöökk on sae väärkasutuse ja/või ebaõigete

tööoperatsioonide või -tingimuste tulemus, mida on võimalik vältida, kui järgitakse alljärgnevat asjakohaseid ettevaatusabinõusid.

1. **Hoidke saest mõlema käega kindlalt kinni ja seadke käsivarred asendisse, et vastu panna tagasilöögi jõududele. Olge ükskõik kummal pool lõiketera, kuid mitte otse selle taga.** Tagasilöökk võib põhjustada tööriista järsu tahapoole liikumise, kuid asjakohaseid ettevaatusabinõusid järgides saab operaator tagasilöögi jõudusid kontrolli all hoida.
2. **Kui lõiketera kiilub kinni või katkestab mingil põhjusel lõikamise, vabastage päästik ja hoidke tööriista liikumatul materjalil, kuni tera on täielikult seiskunud. Ärge kunagi püüdke saagi eemaldada töödeldavast detailist ega tõmmake saagi tahapoole, kui lõiketera liigub või esineb tagasilöögihoht.** Tehke kindlaks lõiketera kinnikiilumise põhjus ja kõrvaldage see.
3. **Sae taaskäivitamisel töödeldavas detailis tsentreerige saetera sisselõikes nii, et saehambad ei lõikuks materjalisse.** Kui saetera on materjali sisse surutud, võib see sae taaskäivitamisel kerkida või töödeldavast detailist tagasilöögi anda.
4. **Lõiketera kinnikiilumise ja tagasilöögiriski minimeerimiseks toestage suured paneelid.** Suured paneelid kalduvad omaenese raskele all painduma. Toed tuleb paigutada paneeli mõlema külje alla lõikekoha ja paneeliserva lähedale.

► Joon.2

► Joon.3

5. **Ärge kasutage nürisid ega vigastatud lõiketerasid.** Teritamata või vääralt paigaldatud lõiketerade kasutamise tulemuseks on kitsas sisselõige, mis põhjustab liigset hõõrdumist, lõiketera kinnikiilumist ja tagasilööki.
6. **Lõiketera sügavuse ja faasi reguleerimise lukustushoovad peavad olema enne lõikamist pigindatud ja kindlalt kinnitatud.** Kui lõiketera seadistus lõikamise ajal nihkub, võib see põhjustada kinnikiilumise ja tagasilöögi.
7. **Olge eriti ettevaatlik, kui teostate lõikeid olemasolevates seintesse või muudes varjatud piirkondades.** Väljaulatuv lõiketera võib lõikuda objektidesse, mis võivad põhjustada tagasilöögi.
8. **Hoidke ALATI tööriista kindlalt kahe käega. Ärge pange oma kätt, jalga ega mingit muud kehaosa KUNAGI tööriistaaluse alla ega sae taha, eriti ristlõigete tegemise ajal.** Kui tekib tagasilöökk, võib saag hõlpsasti hüpata tahapoole üle teie kae ja põhjustada tõsise kehavigastuse.

► Joon.4

9. **Ärge kunagi kasutage sae suhtes jõudu. Lükake saagi ettepoole sellise kiirusega, et tera lõikab kiirust vähendamata.** Jõu kasutamine võib põhjustada lõigete ebatasasuse, täpsuse kaotuse ja võimaliku tagasilöögi.

Piirde funktsioon

1. **Enne igakordset kasutamist kontrollige piirde õiget sulgumist. Ärge töötage saega, kui piire ei liigu vabalt ega sulge kohe lõiketera. Ärge kunagi kinnitage piiret klambriga ega ühendage seda nii, et lõiketera on katmata.**

Kui saag on juhulikult maha kukkunud, võib piire olla paindunud. Kontrollige piiret ja veenduge, et see liiguks vabalt, ei puudutaks lõiketera ega mingit muud sae osa üheski nurgas ega mingil lõikesügavusel.

2. **Kontrollige alumise piirde vedru töökorras olekut.** Kui piire ja vedru ei tööta korrektselt, tuleb neid enne tööriista kasutamist hooldada. Piire võib töötada aeglaselt kahjustunud osade, kummisette või lõikamisjäakide kogunemise tõttu.
3. **Veenduge, et sae alusplaat ei nihkuks sukel-duslõike ajal.** Tera nihkumine küljele põhjustab kinnijäämise ja töönaolise tagasilöögi.
4. **Enne sae pingile või põrandale asetamist jälgige alati, et alumine piire kataks lõiketera.** Kaitsmata, vabalt liikuv tera võib põhjustada sae tahapoole liikumise ja lõikumise oma liikumisteel ükskõik millesse. Olge teadlik ajast, mis kulub lõiketera seiskumiseks pärast tööriista väljalülitamist.

Lisaohutusnõuded

1. **Olge eriti ettevaatlik märja puidu, survetöötlemise läbinud saematerjali või oksakohtadega puidu lõikamisel.** Tagage tööriista sujuv liikumine lõiketera kiirust vähendamata, et vältida lõiketera tippude ülekuumenemist, ja plasti lõikamisel vältige selle sulatamist.
2. **Ärge püüdke eemaldada lõigatavat materjali lõiketera liikumise ajal.** Enne lõigatavast materjalist kinni haaramist oodake, kuni lõiketera seiskub. Terad liiguvad peale sae väljalülitamist vabakäiguga edasi.
3. **Vältige naeltesse sisselõikamist.** Enne lõikamist kontrollige saematerjali ja eemaldage sellest kõik naelad.
4. **Asetage saekorpuse laiemi osa töödeldava detaili selle poole peale, mis on kindlalt toetatud, mitte sinna, mis pärast lõikamist küljest ära kukub.** Kui töödeldav detail on lühike või väike, tuleb see pitskruididega kinnitada. **ÄRGE PÜÜDKE HOIDA LÜHIKESI TÜKKE KÄEGA!**

► Joon.5

5. **Enne tööriista maha asetamist pärast lõikamise lõpetamist veenduge, et piire oleks suletud ja lõiketera täielikult seiskunud.**
6. **Ärge kunagi püüdke saagida rakises tagurpidi asendisse hoitava ketassaaga.** See on väga ohtlik ja võib põhjustada tõsiseid õnnetusi.

► Joon.6

7. **Mõned materjalid võivad sisaldada mürgiseid aineid.** Võtke meetmed tolmu sissehingamise ja nahaga kokkupuute vältimiseks. Järgige materjali tarnija ohutusteavet.
8. **Ärge püüdke lõiketerasid seisata neid külgsuunas surudes.**
9. **Ärge kasutage abrasiivkettaid.**
10. **Kasutage saeterade puhul ainult sellist läbimõõtu, mis on märgitud tööriistale või määratud kindlaks kasutusjuhendis.** Vale suurusega lõiketera kasutamine võib negatiivselt mõjutada lõiketera nõuetekohast kaitset või kaitsepiirde funktsioneerimist, mille tagajärjeks võib olla raske kehavigastus.
11. **Hoidke lõiketera terava ja puhtana.** Kõvastunud

kumm ja puuvaik lõiketeradel aeglustab sae tööd ning suurendab tagasilöögi tekkimise võimalust. Hoidke lõiketera puhtana, eemaldage see esmalt tööriista küljest, seejärel puhastage seda kummi- ja puuvaigu eemaldusvahendi, kuuma vee või petrooleumiga. Ärge kunagi kasutage bensiini.

12. **Tööriista kasutamisel kandke tolmumaski ja kuulmiskaitsevahendeid.**
13. **Kasutage alati lõigatava materjali lõikamiseks ettenähtud saetera.**
14. **Kasutage ainult selliseid saeteri, millele märgitud kiirus on võrdne tööriistale märgitud kiirusega või sellest suurem.**
15. **(Ainult Euroopa riikide puhul)** Kasutage puidu või muu sarnase materjali saagimiseks alati standardile EN847-1 vastavat saetera.

HOIDKE JUHEND ALLES.

⚠ HOIATUS: ÄRGE UNUSTAGE järgida toote ohutusnõudeid mugavuse või toote (korduskasutamisega saavutatud) hea tundmise tõttu. VALE KASUTUS või kasutusjuhendi ohutusekirjade eiramine võib põhjustada tervisekahjustusi.

FUNKTSIONAALNE KIRJELDUS

⚠ ETTEVAATUST:

- Kandke alati hoolt selle eest, et tööriist oleks enne reguleerimist ja kontrollimist välja lülitatud ja vooluvõrgust lahti ühendatud.

Lõikesügavuse reguleerimine

- **Joon.7:** 1. Pitskruvi 2. Tera alampiiri seiskamisseade

⚠ ETTEVAATUST:

- Pärast lõikesügavuse reguleerimist pingutage pitskruvi alati korralikult.

Vabastage pitskruvi sügavuspierdelt ja viige tera alampiiri seisur skaalapladi soovitavasse sügavusse. Sobivas lõikesügavuses kinnitage pitskruidid tugevasti. Puhtamate ja ohutumate lõigete tegemiseks seadke lõikesügavuse selliselt, et töödeldavas detailist allapoole ei ulatu rohkem kui üks terahammas. Õige lõikesügavuse kasutamine aitab vähendada kehavigastusi põhjustada võivate ohtlike TAGASILÖÖKIDE võimalust.

MÄRKUS:

- Tera alampiiri seiskuri seadmine soovitavasse sügavusse skaalapladiil võimaldab ligikaudset lõikesügavust määratleda. Täpse mõõtmissügavuse jaoks mõõtke tööriistaaluse all oleva saetera tegelikku väljaulatuvat osa.

Kiirseiskamisnupp 2-3 mm sügavusega lõike jaoks juhtpiiret (lisatarvik) kasutades

► Joon.8: 1. Kiirseiskamisnupp

Sellel tööriistal on kiirseiskamisnupp 2-3 mm sügavusega lõigete teostamiseks jaoks mootorikatte peal tagumise käepideme kõrval juhtpiire kasutamisel. Seda kasutatakse töödeldaval detailil lõike ajal pindude vältimiseks. Liikuge 2-3 mm esimesest lõikest mööda ja siis liikuge harilikult lõikest uuesti mööda.

2-3 mm lõikesügavuse saavutamiseks vajutage seis-kamisnuppu sae lõiketera suunas. See on otstarbekohane, et töödeldaval detailil pindusid vältida. Lõikesügavuse vabastamiseks sellest asendist vabasse lõikesügavusse tõmmake nuppu tagasi.

► Joon.9: 1. Kiirseiskamisnupp

Kaldlõikamine

► Joon.10: 1. Pitskruid 2. Tööriistaalus

Paremale kallutamine

► Joon.11: 1. Positiivne seiskamiseseade

Pöörake positiivset seiskurit nii, et nool sellel osutaks ühele kahest asendist (vertikaalne 22,5° korral, horisontaalne 45° puhul). Vallandage eesmised ja tagumised pitskruid, peale seda kallutage tööriistaalus, kuni see seiskub ja kinnitage alus pitskruidedega.

48° faasinurga saamiseks viige hoob nii kaugemale 48° märgini kui võimalik. Pöörake positiivset seiskurit nii, et selle peal olev nool osutaks horisontaalasendit. Siis kallutage tööriistaalus, kui see peatub ja kinnitage alus pitskruidedega.

► Joon.12: 1. Hoob

Vasakule kallutamine

► Joon.13: 1. Faasinurgaga nihkehoob

Tööriista saab kallutada vasakule 1° faasinurga all. Vasakpoolse 1° faasinurga saamiseks vallandage eesmised ja tagumised pitskruid, kallutage tööriista käepidet kergelt paremale ja vajutage kahte faasinurga nihkekangi samaaegselt noole suunas, millel on märk -1. Seejärel kallutage tööriista käepidet vasakule, vajutades samal ajal neid kahte kangi. Kinnitage alus pitskruidedega.

MÄRKUS:

- Tera tagasi toomine täisnurga all paneb nihkekangi iseeneslikult 0° naasma.

Sihtimine

► Joon.14: 1. Tald 2. Lõikejoon

Tööriista kasutamisel ilma juhtpiirdeta (lisatarvik)

Sirglõigete tegemiseks seadke punkt A aluse esiküljel lõikejoonega kohakuti. 45° kaldlõigete tegemiseks seadke sellega kohakuti punkt B.

Tööriista kasutamisel juhtpiirdega (lisatarvik)

Sirglõigete ja 45° faasilõigete tegemiseks seadke punkt A alati aluse esiküljel lõikejoonega kohakuti.

Lüliti funktsioneerimine

► Joon.15: 1. Lahtilukustuse nupp 2. Lüliti päästik

⚠ETTEVAATUST:

- Kontrollige alati enne tööriista vooluvõrku ühendamist, kas lüliti päästik funktsioneerib nõuetekohaselt ja liigub lahtilaskmisel tagasi väljalülitatud asendisse.

Selleks, et lüliti päästikut poleks võimalik juhuslikult tõmmata, on tööriistal lahtilukustuse nupp. Tööriista käivitamiseks vajutage lahtilukustuse nuppu alla ning tõmmake lüliti päästikut. Seiskamiseks vabastage lüliti päästik.

Kiiruseregulaator

► Joon.16: 1. Kiiruseregulaator

Tööriista kiirust saab reguleerida, kui keerata kiiruseregulaatorit. Kiiruse suurendamiseks keeratakse kiiruseregulaatorit numbril 6 suunas ja kiiruse vähendamiseks numbril 1 suunas.

Juhinduge töödeldava detaili jaoks sobiva kiiruse valimisel tabelis antud teabest. Sobiv kiirus võib siiski varieeruda töödeldava detaili tüübist ja paksusest sõltuvalt. Tavaliselt võimaldab suurem kiirus küll lõigata töödeldavat detaili kiiremini, ent samas lüheneb sel juhul kasutatava saeüle kasutusiga.

Number	min ⁻¹
1	2 200
2	2 700
3	3 800
4	4 900
5	6 000
6	6 400

⚠ETTEVAATUST:

- Kiiruseregulaatorit saab keerata ainult numbrini 6 ja tagasi numbrini 1. Ärge kiiruseregulaatorit jõuga üle 6 või 1 keerata püüdes, sest vastasel korral ei pruugi kiiruse reguleerimise funktsioon enam töötada.
- Kiiruseregulaator ei ole ette nähtud väikese normkiirusega saeterade kasutamiseks, vaid töödeldava detaili materjali jaoks sobiva kiiruse saavutamiseks. Kasutage ainult selliseid saeterasid, mille parameetrid vastavad vähemalt maksimaalsele koormuseta kiirusele, mis on kindlaks määratud TEHNILISTES ANDMETES.

Elektroniilise funktsiooniga varustatud tööriistu on tänu järgmistele omadustele lihtne kasutada.

Ülekoormuse kaitse

Kui tööriistal on ülekoormus ja elektrivool ületab teatud taseme, seiskub tööriist automaatselt, et mootorit kaitsta.

Püsikiiruse juhtimine

Kiiruse elektrooniline juhtimine püsikiiruse saavutamiseks. Muudab võimalikuks täpselt viimistlemise, kuna pöörlemiskiirus püsib ühtlasena ka koormatuse korral.

Sujuvkäivituse funktsioon

Sujuva käivituse tagab summutatud algtõuge.

KOKKUPANEK

⚠ETTEVAATUST:

- Kandke alati enne tööriistal mingite tööde teostamist hoolt selle eest, et see oleks välja lülitatud ja vooluvõrgust lahti ühendatud.

Kuuskantvõtme hoiulepanek

► **Joon.17:** 1. Kuuskantvõti

Kuuskantvõtit hoitakse tööriista peal. Kuuskantvõtme eemaldamiseks tõmmake see lihtsalt välja. Kuusnurkvõtme paigaldamiseks asetage see käepidele ja sisestage nii kaugele kui võimalik.

Saetera eemaldamine või paigaldamine

⚠ETTEVAATUST:

- Ärge kasutage saeteri, mis ei vasta käesolevates juhistes toodud parameetritele.
- Kasutage ainult selliseid saeterasid, mille parameetrid vastavad vähemalt maksimaalsele koormusele kiirusele, mis on kindlaks määratud TEHNILISTES ANDMETES.
- Veenduge, et tera on paigaldatud selliselt, et hambad on suunatud tööriista esiosas üles.
- Kasutage tera paigaldamiseks ja eemaldamiseks ainult Makita mutrivõtit.

Tera eemaldamiseks vajutage faasiluku avamise nupule, et avada ülapiiri seiskurit.

► **Joon.18:** 1. Lahtilukustuse nupp 2. Lukustushoob

Pöörake lukustushooba, et lukustada saelehe vahetamiseks sae ülemine ots.

► **Joon.19:** 1. Lukustushoob

Lahtilukustusnupu allavajutamise ja lukustushooba pööramisega langetage käepidet nii, et fiksaator sobitaks soonde, mis moodustab lukustushoova ja skaalaplaadiga sügavusjuhiku abil. Tehke kindlaks, et fiksaator sobitaks soonde.

Vajutage völliukku nii tugevasti kui saate, et tera ei saaks pöörelda, ning keerake kuuskantpolt kuuskantvõtme abil vastupäeva lahti. Siis eemaldage kuuskantpolt, välisäärik ja saeleht.

► **Joon.20:** 1. Kuuskantvõti 2. Völliuk

Tera paigaldamiseks järgige eemaldamise protseduuri vastupidises järjekorras. KEERAKE KUUSKANTPOLT KINDLASTI KORRALIKULT PÄRIPÄEVA KINNI.

► **Joon.21:** 1. Kuuskantpolt 2. Välimine flanš 3. Saetera 4. Sisemine flanš

Terakaitse puhastamine

Ketassaetera vahetamisel puhastage ka terakaitse sinna kogunenud saepurust, nagu on kirjeldatud peatükis „Hooldus“. See ei tähenda, et võiks loobuda kaitsepiirde töökorras oleku kontrollimisest enne iga kasutuskorda.

Tolmuimeja ühendamine

► **Joon.22:** 1. Tolmuimeja 2. Tolmukanal

Kui soovite puhtamalt lõigata, ühendage tööriista külge Makita tolmuimeja. Ühendage tolmuimeja voolik tolmu-pordi külge näidise järgi.

TÖÖRIISTA KASUTAMINE

Lõigete tegemine (tavaline saagimine)

⚠ETTEVAATUST:

- Liigutage tööriista kindlasti ettevaatlikult sirgjooneliselt ettepoole. Tööriista surve avaldamisel või selle väänamisel kuumeneb mootor üle ja tekib ohtlik tagasilöökk, mis võib põhjustada tõsiseid vigastusi.
- Ärge minge kunagi lõigete tegemise ajal ühegi kehaosaga tööriistaaluse alla, eriti alguses. Nii toimides võite saada tõsiselt vigi. Tera on tööriistaaluse alt katmata.

Hoidke tööriistast tugevalt kinni. Sael on nii eesmine kui ka tagumine käepide. Kasutage mõlemat, et tööriista parimal moel hoida. Kui hoiate mõlema käega saest kinni, siis ei saa te käsi saeteraga vigastada. Seadke saeleheta lõigatava detaili peal oleva aluse eesosa nii, et te ei puutuks sellega kokku. Siis vajutage lahtilukustusnuppu ja pange tööriist käima, oodates, kuni saeleht saavutab täiskiiruse. Nüüd vajutage sae pea aeglaselt alla eelseadistatud lõikesügavusele ja liigutage tööriista lihtsalt mööda töödeldava detaili pinda edasi, hoides seda lamedalt ja sujuvalt edasi liikudes, kuni saagimine on lõpetatud.

Selgepiirliste lõigete saamiseks hoidke sirget lõikejoont ja ühtlast kiirust. Kui lõige ei järgi planeeritud lõikejoont täpselt, ärge proovige seda pöörata ja ärge suruge tööriista lõikejoonele tagasi. Muidu võib tera kinni kiiluda, põhjustada ohtlike tagasilööke ja tekitada tõsiseid vigastusi. Vabastage lüliti, oodake, kuni tera jääb seisma, ja seejärel eemaldage saag. Asetage tööriist uuele lõikejoonele ja hakake uuesti lõikama. Püüdke vältida asetust, mis jätab operaatori saest paiskuvate laastude ja saepuru eest kaitsetuks. Kasutage silmakaitset, et vigastusi vältida.

► **Joon.23**

Tööriista kasutamisel juhtpiiridega (lisatarvik)

► **Joon.24:** 1. Reguleerimiskruvid

Asetage tööriist juhtpiiride tagumisse otsa. Pöörake kahte reguleerimiskruvi tööriistaalusel, et tööriist libiseks sujuvalt ja ei tekitaks müra. Hoidke tööriista

kindlalt. Tööriistal on eesmine haarats ja tagumine käepide. Kasutage mõlemat, et tööriista parimal moel hoida. Pöörake tööriist, suruge tööriist alla eelseadistatud lõikesügavusele ja lõigake pilpapiirdega töötakti täispikkuses. Pilpapiirde serv vastab lõikeäärele. Juhtpiirdega faasilõikamise ajal libistage liughoob tööriistaalusele nii, et tööriist ei kukuks külili maha.

► **Joon.25:** 1. Liughoob

Liigutage liughooba tööriistaalusel noole suunaliselt, et see haarduks juhtpiirde alla lõigatud soonde.

Piire (juhtjoolaud) (lisatarvik)

► **Joon.26:** 1. Piire (juhtjoolaud)

Käepärane piire võimaldab teha eriti täpseid sirgloikeid. Lihtsalt libistage juhtjoolaud mugavalt vastu töödeldava detaili äärt ja kinnitage see asendis, kus kruvid asetsevad aluse ees ja tagaküljes. See teeb ka ühtse laiusega korduvlõiked võimalikuks.

Juhtjoolaua (juhtjoolaud) ümber pööramine annab samuti tööriistale alumise aluse.

Sukelduslõikamine (väljalõikamine)

► **Joon.27:** 1. Tööriistaaluse tagaäär 2. Fikseeritud seisikamine

⚠ HOIATUS:

- Tagasilöögi vältimiseks tehke kindlaks, et te jälgiksite järgnevaid juhiseid.

Tööriista kasutamisel ilma juhtpiirdeta

Asetage tööriist töödeldava detaili peale, tööriistaaluse tagumine äär seadke vastu fikseeritud seisakut või selle operaatoripoolselt väljamõeldud ekvivalenti.

Tööriista kasutamisel ilma juhtpiirdeta

Asetage tööriist töödeldava detaili peale, tööriistaaluse tagumine äär seadke vastu fikseeritud seisakut või selle operaatoripoolselt väljamõeldud ekvivalenti.

Hoidke tööriista kindlalt käes, üks käsi eesmisel haaratsil ja teine tööriista käepidemel. Siis vajutage lahtilukustusnuppu ja pange tööriist käima, oodates kuni saeleht saavutab täiskiruse. Nüüd vajutage saepea aeglaselt alla eelseadistatud lõikesügavusse ja lihtsalt liigutage tööriista ettepoole soovitud sukeldusasendi suunaliselt.

MÄRKUS:

- Saelehe ühtlustusseade ääremärgid näitavad tera eesmist ja tagumist lõikepunkti (A 160 mm diameetri jaoks ja B 165 mm diameetri jaoks) maksimaalses lõikesügavuses juhtpiiret kasutades.

► **Joon.28**

Juhtseade (lisatarvik)

Faasimõõdiku (lisatarvik) kasutamine võimaldab teha täpseid nurga all faasilõikeid ja kohaldustööd. Klambri (lisatarvik) kasutamine tagab töödeldava detaili

kindla hoide laual.

HOOLDUS

⚠ ETTEVAATUST:

- Kandke alati enne kontroll- või hooldustoimingute teostamist hoolet selle eest, et tööriist oleks välja lülitatud ja vooluvõrgust lahti ühendatud.
- Puhastage kaitsepiire sellele kogunenud saepurust, mis võib takistada kaitseüsteemi toimimist. Määratud kaitseüsteem võib piirata nõuetekohast talitlust, mille tagajärjeks võib olla tõsine kehavigastus. Kõige tõhusam on kasutada puhastamiseks suruõhku. **Kaitsepiirdest tolmü väljapuhumisel kasutage kindlasti nõuetekohaseid silmade ja hingamisteede kaitsevahendeid.**
- Ärge kunagi kasutage bensiini, vedeldit, alkoholi ega midagi muud sarnast. Selle tulemuseks võib olla luitumine, deformatsioon või pragunemine.

90° ja 45° lõike (vertikaalne ja 45° lõige) täppisreguleerimine

See on tehases seadistatud. Kui see on paigast ära, siis reguleerige kuuskantvõtme abil reguleerkruve, kontrollides samal ajal kolmnurkjoolaua, nurklaava vms abil tera ja aluse vahelist 90° või 45° nurka.

► **Joon.29:** 1. 90° reguleerkruvi

► **Joon.30:** 1. 45° reguleerkruvi

MÄRKUS:

- 22,5°, 48° ja -1° lõiketäpsust ei saa reguleerida.

Süsiharjade asendamine

► **Joon.31:** 1. Piirmärgis

Võtke välja ja kontrollige süsiharju regulaarselt.

Asendage süsiharjad uutega, kui need on kulunud piirmärgini. Hoidke süsiharjad puhtad, nii on neid lihtne oma hoidikutesse libistada. Mõlemad süsiharjad tuleb asendada korraga. Kasutage ainult identseid süsiharju.

► **Joon.32:** 1. Kruvikeeraja 2. Harjahoidiku kate

Kasutage harjahoidikute kaante eemaldamiseks kruvikeerajat. Võtke ära kulunud süsiharjad välja, paigaldage uued ning kinnitage harjahoidikute kaaned tagasi oma kohale.

Toote OHUTUSE ja TÕÕKINDLUSE tagamiseks tuleb vajalikud remonttööd, muud hooldus- ja reguleerimistööd lasta teha Makita volitatud teeninduskeskustes. Alati tuleb kasutada Makita varuosi.

VALIKULISED TARVIKUD

⚠ETTEVAATUST:

- Neid tarvikuid ja lisaseadiseid on soovitatav kasutada koos Makita tööriistaga, mille kasutamist selles kasutusjuhendis kirjeldatakse. Muude tarvikute ja lisaseadiste kasutamisega kaasneb vigastada saamise oht. Kasutage tarvikuid ja lisaseadiseid ainult otstarvetel, milleks need on ette nähtud.

Saate vajadusel kohalikust Makita teeninduskeskusest lisateavet nende tarvikute kohta.

- Saeterad
- Juhtpiire
- Piire (juhtjoonlaud)
- Eerungimõõdik
- Pitskruvi
- Kuuskantvõti
- Juhtpiirde lehtmetail-lehtede komplekt
- Juhtpiirde kummilehe komplekt
- Juhtpiirde positsioonilehe komplekt

MÄRKUS:

- Mõned nimekirjas loetletud tarvikud võivad kuuluda standardvarustusse ning need on lisatud tööriista pakendisse. Need võivad riikide lõikes erineda.

ТЕХНИЧЕСКИЕ ХАРАКТЕРИСТИКИ

Модель	SP6000		
Диаметр полотна	165 мм		
Максимальная глубина резки	при 90°	56 мм	
	при 45°	40 мм	
	при 48°	38 мм	
Число оборотов без нагрузки (мин ⁻¹)	2 200 - 6 400		
Общая длина	341 мм		
Вес нетто	4,1 кг		
Класс безопасности	□/II		

- Благодаря нашей постоянно действующей программе исследований и разработок указанные здесь технические характеристики могут быть изменены без предварительного уведомления.
- Технические характеристики могут различаться в зависимости от страны.
- Масса может отличаться в зависимости от дополнительного оборудования. В таблице представлены комбинации с наибольшей и наименьшей массой в соответствии с процедурой EPTA 01/2014.

Назначение

Данный инструмент предназначен для распилов врезанием. Инструмент также может использоваться для разрезания и поперечных распилов дерева. Если инструмент оснащен надлежащим диском циркулярной пилы, его можно использовать для резки алюминия, пластика, облицовочных панелей и металлических стеновых панелей.

Питание

Подключайте данный инструмент только к тому источнику питания, напряжение которого соответствует напряжению, указанному на паспортной табличке. Инструмент предназначен для работы от источника однофазного переменного тока. Он имеет двойную изоляцию и поэтому может подключаться к розеткам без заземления.

Шум

Типичный уровень взвешенного звукового давления (A), измеренный в соответствии с EN62841-2-5:

Уровень звукового давления (L_{pA}): 95 дБ (A)

Уровень звуковой мощности (L_{WA}): 103 дБ (A)

Погрешность (K): 3 дБ (A)

ПРИМЕЧАНИЕ: Заявленное значение распространения шума измерено в соответствии со стандартной методикой испытаний и может быть использовано для сравнения инструментов.

ПРИМЕЧАНИЕ: Заявленное значение распространения шума можно также использовать для предварительных оценок воздействия.

▲ОСТОРОЖНО: Используйте средства защиты слуха.

▲ОСТОРОЖНО: Распространение шума во время фактического использования электроинструмента может отличаться от заявленного значения в зависимости от способа применения инструмента и в особенности от типа обрабатываемой детали.

▲ОСТОРОЖНО: Обязательно определите меры безопасности для защиты оператора, основанные на оценке воздействия в реальных условиях использования (с учетом всех этапов рабочего цикла, таких как выключение инструмента, работа без нагрузки и включение).

Вибрация

Суммарное значение вибрации (сумма векторов по трем осям) определяется по следующим параметрам EN62841-2-5:

Рабочий режим: резка дерева

Распространение вибрации ($a_{h,w}$): 2,5 м/с² или менее

Погрешность (K): 1,5 м/с²

Рабочий режим: резка металла

Распространение вибрации ($a_{h,m}$): 2,5 м/с² или менее

Погрешность (K): 1,5 м/с²

ПРИМЕЧАНИЕ: Заявленное общее значение распространения вибрации измерено в соответствии со стандартной методикой испытаний и может быть использовано для сравнения инструментов.

ПРИМЕЧАНИЕ: Заявленное общее значение распространения вибрации можно также использовать для предварительных оценок воздействия.

⚠ОСТОРОЖНО: Распространение вибрации во время фактического использования электроинструмента может отличаться от заявленного значения в зависимости от способа применения инструмента и в особенности от типа обрабатываемой детали.

⚠ОСТОРОЖНО: Обязательно определите меры безопасности для защиты оператора, основанные на оценке воздействия в реальных условиях использования (с учетом всех этапов рабочего цикла, таких как выключение инструмента, работа без нагрузки и включение).

Декларации о соответствии

Только для европейских стран

Декларации о соответствии включены в Приложение А к настоящему руководству по эксплуатации.

Общие рекомендации по технике безопасности для электроинструментов

⚠ОСТОРОЖНО Ознакомьтесь со всеми инструкциями по технике безопасности, указаниями, иллюстрациями и техническими характеристиками, прилагаемыми к данному электроинструменту. Несоблюдение всех приведенных далее инструкций может привести к поражению электрическим током, возгоранию и/или тяжелым травмам.

Сохраните брошюру с инструкциями и рекомендациями для дальнейшего использования.

Термин "электроинструмент" в предупреждениях относится ко всему инструменту, работающему от сети (с проводом) или на аккумуляторах (без провода).

Правила техники безопасности при эксплуатации циркулярной пилы

Процедуры резки

- 1. ⚠ОПАСНО:** Держите руки на расстоянии от места распила и пилы. Держите вторую руку на дополнительной ручке или корпусе двигателя. Удержание инструмента обеими руками позволит избежать попадания рук диск пилы.
- 2. Не наклоняйтесь под обрабатываемую деталь.** Защитный кожух не защитит вас от диска под обрабатываемой деталью.
- 3. Отрегулируйте глубину распила в соответствии с толщиной детали.** Под распиливаемой деталью должен быть виден почти весь зуб пилы.
- 4. Запрещается держать деталь руками и ставить ее поперек ноги во время работы.** Закрепите обрабатываемую деталь на устойчивом основании. Важно обеспечить

правильную фиксацию детали для снижения до минимума риска получения травм, заклинивания диска или потери контроля.

► Рис.1

- 5. Если при выполнении работ существует риск контакта режущего инструмента со скрытой электропроводкой или собственным шнуром питания, держите электроинструмент за специально предназначенные изолированные поверхности.** Контакт с проводом под напряжением приведет к тому, что металлические детали инструмента также будут под напряжением, что приведет к поражению оператора электрическим током.
- 6. Обязательно пользуйтесь направляющей планкой или направляющей с прямым краем при продольной распиловке.** Это повышает точность распила и снижает риск изгиба диска.
- 7. Обязательно используйте диски соответствующего размера и формы отверстий для оправки (ромбовидные или круглые).** Диски с несоответствующим креплением будут работать эксцентрически, что приведет к потере контроля над инструментом.
- 8. Запрещается использовать поврежденные или несоответствующие пиле шайбы или болт крепления.** Шайбы и болт крепления диска были специально разработаны для данной пилы с целью обеспечения оптимальных эксплуатационных характеристик и безопасности работы.

Причины отдачи и соответствующие предупреждения

- отдача - это мгновенная реакция на защемление, застревание или нарушение соосности пильного диска, приводящая к неконтролируемому подъему пилы и ее движению из детали по направлению к оператору;
- если диск защемлен или жестко ограничивается пропилом снизу, он прекратит вращаться, и реакция двигателя приведет к тому, что инструмент начнет быстро двигаться в сторону оператора;
- если диск становится изогнутым или неправильно ориентированным в распиле, зубья на задней стороне диска могут цепляться за верхнюю поверхность распиливаемой древесины, что приведет к выскакиванию диска из пропила и его движению в сторону оператора.

Отдача - это результат неправильного использования пилы и/или неправильных процедур или условий эксплуатации. Ее можно избежать, соблюдая меры предосторожности, указанные ниже.

- 1. Крепко держите пилу обеими руками и располагайте руки так, чтобы они могли справиться с отдачей.** Располагайтесь с боковой стороны циркулярной пилы, а не на одной линии с ней. Отдача может привести к отскакиванию дисковой пилы назад, однако силы отдачи могут контролироваться оператором при условии соблюдения соответствующих мер предосторожности.
- 2. При изгибании пилы или прекращении пиления по какой-либо причине отпустите**

триггерный переключатель и держите пилу без ее перемещения в детали до полной остановки вращения диска. Не пытайтесь вытащить пилу из распиливаемой детали или потянуть пилу назад, когда пила продолжает вращаться. Это может привести к отдаче. Проверьте и выполните действия по устранению причины заклинивания диска.

3. При повторном включении пилы, когда она находится в детали, отцентрируйте пильный диск в пропиле так, чтобы зубья пилы не касались распиливаемой детали. Если пильный диск изогнется, пила может приподняться или возникнет обратная отдача при повторном запуске пилы.
4. Поддерживайте большие панели для снижения риска заклинивания и отдачи диска. Большие панели провисают под собственным весом. Опоры необходимо располагать под панелью с обеих сторон, около линии распила и около края панели.

► Рис.2

► Рис.3

5. Не используйте тупые или поврежденные диски. Незаточенные или неправильно установленные диски приведут к узкому распилу, что вызовет чрезмерное трение, заклинивание диска и отдачу.
6. Перед резкой необходимо крепко затянуть блокирующие рычаги глубины распила и регулировки скоса. Если при резке регулировка диска нарушится, это может привести к заклиниванию диска и возникновению отдачи.
7. Будьте особенно осторожны при распиливании уже имеющихся стен или иных поверхностей, недоступных для осмотра. Выступающий диск пилы может столкнуться с предметами, которые могут вызвать отдачу инструмента.
8. **ВСЕГДА** держите инструмент крепко обеими руками. **НИКОГДА** не помещайте свои руки, ноги или иные части тела под основание инструмента или позади пилы, особенно при выполнении поперечных распилов. В случае отдачи пила может легко отскочить назад на вашу руку, что приведет к серьезной травме.

► Рис.4

9. Никогда не прилагайте повышенных усилий к пиле. Двигайте пилу вперед со скоростью, которая позволяет дисковой пиле пилить без снижения скорости. Приложение повышенных усилий к дисковой пиле может привести к неравномерному распилу, снижению точности и возможной отдаче.

Функционирование ограждения

1. Перед каждым использованием проверяйте нормальное закрытие ограждения. Не эксплуатируйте пилу, если нижнее ограждение не перемещается свободно и не закрывается мгновенно. Никогда не зажимайте и не задерживайте ограждение так, чтобы диск оставался незащищенным. При случайном падении пилы ограждение может

погнуться. Проверьте, свободно ли движется ограждение, не задевает ли диск или любую иную деталь при любых углах и значениях глубины распила.

2. Проверьте работу и состояние возвратной пружины ограждения. Если ограждение и пружина не работают надлежащим образом, их необходимо отремонтировать перед использованием пилы. Ограждение может срабатывать медленно из-за поврежденных деталей, отложения смол или скопления мусора.
3. Убедитесь, что плита основания пилы не сдвинется во время проведения “врезного распила”. Смещение диска в сторону может привести к заклиниванию диска и, скорее всего, к обратной отдаче.
4. Перед тем как положить пилу на верстак или на пол, обязательно убедитесь, что ограждение закрывает режущий диск. Незащищенный, вращающийся по инерции диск пилы может непреднамеренно двинуться назад, распиливая все, что попадет на пути. Помните о времени, необходимом для полной остановки пилы после отпускания выключателя.

Дополнительные предупреждения о безопасности

1. Будьте особенно осторожны при распиливании сырой, прессованной или сучковатой древесины. Сохраняйте постоянную скорость подачи без снижения оборотов диска, чтобы избежать перегрева кромки диска и не допустить плавления пластика при его резке.
2. Не пытайтесь убирать отрезанные детали при вращении диска. Перед удалением распиленных деталей дождитесь полной остановки пилы. После выключения диск будет вращаться еще некоторое время.
3. Избегайте попадания режущего инструмента на гвозди. Перед распиливанием осмотрите деталь и удалите из нее все гвозди.
4. Устанавливайте более широкую часть основания пилы на ту часть обрабатываемой детали, которая имеет хорошую опору, а не на ту часть, которая упадет после отпиливания. Если распиливаемая деталь короткая или маленькая, ее необходимо закрепить. **НЕ ПЫТАЙТЕСЬ УДЕРЖИВАТЬ КОРОТКИЕ ДЕТАЛИ РУКОЙ!**

► Рис.5

5. Перед размещением пилы после завершения распила убедитесь, что нижний защитный кожух закрылся и пила полностью прекратила вращаться.
6. Никогда не пытайтесь осуществлять распиливание, закрепив циркулярную пилу в перевернутом виде. Это очень опасно и может привести к серьезным травмам.

► Рис.6

7. Некоторые материалы могут содержать токсичные химические вещества. Примите соответствующие меры предосторожности, чтобы избежать вдыхания или контакта с

кожей таких веществ. Соблюдайте требования, указанные в паспорте безопасности материала.

8. Не пытайтесь остановить пилу путем бокового давления на пильный диск.
9. Не используйте абразивные круги.
10. Разрешается использовать только пильные диски с диаметром, соответствующим указанному на инструменте или в руководстве. Применение диска неверного размера может препятствовать надлежащей защите диска или мешать работе защитного кожуха, что, в свою очередь, может стать причиной серьезных травм.
11. Пилы должны быть острыми и чистыми. Смола и древесный пек, затвердевшие на пильных дисках, снижают производительность пилы и повышают потенциальный риск отдачи. Содержите пилу в чистоте. Для этого снимите ее с инструмента и очистите растворителем смолы и древесного пекса, горячей водой или керосином. Запрещается использовать бензин.
12. При использовании инструмента надевайте пылезащитную маску и используйте средства защиты слуха.
13. Используйте пильные диски, соответствующие материалу заготовки.
14. Используйте только пильные диски, маркировка максимальной скорости которых равна или выше скорости, указанной на инструменте.
15. (Только для европейских стран) Если инструмент предназначен для древесины и аналогичных материалов, необходимо использовать диск, соответствующий стандарту EN847-1.

СОХРАНИТЕ ДАННЫЕ ИНСТРУКЦИИ.

⚠ОСТОРОЖНО: НЕ ДОПУСКАЙТЕ, чтобы удобство или опыт эксплуатации данного устройства (полученный от многократного использования) доминировали над строгим соблюдением правил техники безопасности при обращении с этим устройством. НЕПРАВИЛЬНОЕ ИСПОЛЬЗОВАНИЕ инструмента или несоблюдение правил техники безопасности, указанных в данном руководстве, может привести к тяжелой травме.

ОПИСАНИЕ ФУНКЦИОНИРОВАНИЯ

⚠ВНИМАНИЕ:

- Перед проведением регулировки или проверки работы инструмента всегда проверяйте, что инструмент выключен, а шнур питания вынут из розетки.

Регулировка глубины резки

- **Рис.7:** 1. Зажимной винт 2. Стопор нижнего ограничения режущего диска

⚠ВНИМАНИЕ:

- После регулировки глубины резки всегда крепко затягивайте зажимной винт.

Ослабьте зажимной винт на направляющей глубинного стопора и переместите стопор нижнего ограничения диска на необходимую глубину резания на шкальной пластине. На желаемой глубине распила надежно затяните зажимной винт.

Для обеспечения более чистых, безопасных распилов, установите глубину резки на такое значение, чтобы под обрабатываемой деталью выступал только один зубец диска. Установка надлежащей глубины резки снижает вероятность опасных ОТСКОКОВ, которые могут причинить травму.

ПРИМЕЧАНИЕ:

- Установка стопора нижнего ограничения режущего диска на желаемую глубину на шкальной пластине позволяет установить грубо глубину распила. Для получения точной глубины распила измерьте действительную величину выступа режущего диска пилы под основание инструмента.

Кнопка быстрой остановки для распила глубиной от 2 мм до 3 мм при использовании направляющей стола (дополнительное приспособление)

- **Рис.8:** 1. Кнопка быстрой остановки

Этот инструмент снабжен кнопкой быстрой остановки на корпусе редуктора в стороне от задней ручки для получения распила глубиной от 2 мм до 3 мм при использовании направляющей стола. Эта кнопка используется для устранения сколов в пропилах на детали. Вначале сделайте первый проход глубиной от 2 мм до 3 мм, а затем выполните второй проход для обычного разреза.

Для получения глубины резания от 2 мм до 3 мм вдавите кнопку остановки в направлении режущего диска пилы. Это удобно для избегания появления задиров и сколов на обрабатываемой детали. Для высвобождения глубины резания и перехода от фиксированной глубины к свободной просто отожмите эту кнопку назад.

- **Рис.9:** 1. Кнопка быстрой остановки

Рез под углом

- **Рис.10:** 1. Зажимные винты 2. Основание инструмента

Наклон вправо

- **Рис.11:** 1. Упор-ограничитель

Поверните упор-ограничитель таким образом, чтобы стрелка на нем указывала на одно из двух

положений (вертикальное для угла 22,5°, горизонтальное для угла 45°). Ослабьте зажимные винты спереди и сзади. Затем наклоняйте основание инструмента, пока оно не упрется, и надежно закрепите основание, затянув зажимные винты. Для получения угла скоса кромки 48° передвиньте рычаг на 48° настолько точно, насколько сможете. Поверните упор-ограничитель таким образом, чтобы стрелка на нем указывала на горизонтальное положение. Затем наклоняйте основание инструмента, пока оно не упрется, и надежно закрепите основание, затянув зажимные винты.

► **Рис.12:** 1. Рычаг

Наклон влево

► **Рис.13:** 1. Рычаг изменения угла скоса кромки

Инструмент может быть наклонен влево для получения угла скоса кромки 1°. Чтобы получить угол скоса кромки 1° освободите зажимные винты спереди и сзади, слегка наклоните ручку вправо и одновременно подвиньте оба рычага изменения угла скоса кромки в направлении стрелки с отметкой -1. Затем, нажимая на эти два рычага, наклоните рукоятку инструмента влево. Закрепите основание с помощью зажимных винтов.

ПРИМЕЧАНИЕ:

- Возврат режущего диска на прямой угол заставляет рычаг изменения угла вернуться самостоятельно в положение 0°.

Визир

► **Рис.14:** 1. Основание 2. Линия отреза

При использовании инструмента без направляющей стола (дополнительное приспособление)

Для осуществления прямых распилов, совместите положение А в передней части основания с линией распила. Для распилов под углом в 45°, совместите положение В с линией распила.

При использовании инструмента с направляющей стола (дополнительное приспособление)

Для прямого распиливания и разреза с кромкой под углом 45° совместите положение А лицевой стороны основания с вашей линией распиливания.

Действие выключателя

► **Рис.15:** 1. Кнопка разблокирования 2. Курковый выключатель

ВНИМАНИЕ:

- Перед включением инструмента в розетку, всегда проверяйте, что триггерный переключатель работает надлежащим образом и возвращается в положение "ВЫКЛ", если его отпустить.

Для предотвращения непреднамеренного включения триггерного переключателя имеется кнопка

разблокировки. Для запуска инструмента нажмите кнопку разблокировки и нажмите триггерный переключатель. Отпустите триггерный переключатель для остановки.

Диск регулировки скорости

► **Рис.16:** 1. Поворотный регулятор скорости

Обороты инструмента можно регулировать вращением диска регулировки. Для повышения скорости работы поворачивайте регулятор со шкалой в направлении цифры 6; для понижения скорости работы – в направлении цифры 1. См. таблицу для выбора надлежащей скорости для разрезаемой обрабатываемой детали. Однако надлежащая скорость может быть разной в зависимости от толщины обрабатываемой детали. В общем плане, более высокие скорости позволяют резать обрабатываемые детали быстрее, но срок службы лезвий сократится.

Цифра	мин ⁻¹
1	2 200
2	2 700
3	3 800
4	4 900
5	6 000
6	6 400

ВНИМАНИЕ:

- Диск регулировки скорости можно поворачивать только до цифры 6 и обратно до 1. Не пытайтесь повернуть его дальше 6 или 1, так как функция регулировки скорости может выйти из строя.
- Диск регулировки скорости предназначен не для использования с низкоскоростными пыльными дисками, а для достижения скорости, подходящей для материала обрабатываемой детали. Используйте только пыльные диски, рассчитанные как минимум на максимальную скорость без нагрузки, указанную в разделе "ТЕХНИЧЕСКИЕ ХАРАКТЕРИСТИКИ".

Инструменты, оборудованные электронными функциями, просты в эксплуатации благодаря следующим характеристикам.

Защита от перегрузки

Если инструмент перегружен, и уровень тока становится выше определенного значения, инструмент автоматически останавливается для защиты двигателя.

Постоянный контроль скорости

Электронный контроль скорости для обеспечения постоянной скорости. Возможность получения тонкой отделки, так как скорость вращения держится на постоянном уровне при условиях нагрузки.

Функция плавного запуска

Плавный пуск благодаря подавлению начального удара.

МОНТАЖ

▲ВНИМАНИЕ:

- Перед проведением каких-либо работ с инструментом всегда проверяйте, что инструмент выключен, а шнур питания вынут из розетки.

Хранение шестигранного ключа

► Рис.17: 1. Шестигранный ключ

Шестигранный ключ хранится прямо в инструменте. Для извлечения шестигранного ключа, просто вытащите его.

Для возврата шестигранного ключа на место поместите его в рукоятку и вставьте настолько глубоко, насколько он поместится.

Снятие или установка пильного диска

▲ВНИМАНИЕ:

- Не пользуйтесь пильными дисками, не отвечающими характеристикам, указанным в данных инструкциях.
- Используйте только пильные диски, рассчитанные как минимум на максимальную скорость без нагрузки, указанную в разделе "ТЕХНИЧЕСКИЕ ХАРАКТЕРИСТИКИ".
- Обязательно проверяйте установку диска, чтобы зубья смотрели вверх в передней части инструмента.
- Для снятия или установки дисков пользуйтесь только ключом Makita.

Для снятия режущего диска необходимо нажать на кнопку разблокировки, чтобы разблокировать стопор верхнего ограничения.

► Рис.18: 1. Кнопка разблокирования 2. Стопорный рычаг

Поверните стопорный рычаг, чтобы заблокировать головку пилы для замены режущего диска.

► Рис.19: 1. Стопорный рычаг

При отжатой кнопке разблокировки и повернутом стопорном рычаге, опустите вниз рукоятку так, чтобы стопорный штифт попал в канавку, образованную стопорным рычагом и глубиномером с шкальной пластиной. Удостоверьтесь, что стопорный штифт входит в эту канавку.

Для снятия пилы нажмите на кнопку фиксации вала до упора, чтобы шпиндель не мог вращаться, затем используйте ключ для отворачивания болта с шестигранной головкой против часовой стрелки. Затем снимите болт с шестигранной головкой, внешний фланец и режущий диск.

► Рис.20: 1. Шестигранный ключ 2. Фиксатор вала

Для установки диска выполните процедуру снятия в обратной последовательности. **ОБЯЗАТЕЛЬНО КРЕПКО ЗАКРУТИТЕ ШЕСТИГРАННЫЙ БОЛТ ПО ЧАСОВОЙ СТРЕЛКЕ.**

► Рис.21: 1. Болт с шестигранной головкой 2. Наружный фланец 3. Пильный диск 4. Внутренний фланец

Очистка ограждения диска

При замене диска циркулярной пилы убедитесь, что защитный кожух очищен от скопившихся опилок в соответствии с инструкциями в разделе "Техническое обслуживание". Подобные меры не подменяют собой необходимость проверки кожуха перед каждым использованием.

Подключение пылесоса

► Рис.22: 1. Пылесос 2. Отверстие для сбора пыли

Для "чистого" распиливания подсоедините к вашему инструменту пылесос Makita. Подсоедините шланг пылесоса к отверстию пылеотвода, как это показано на рисунке.

ЭКСПЛУАТАЦИЯ

Получение разрезов (обычное пиление)

▲ВНИМАНИЕ:

- Обязательно осторожно перемещайте инструмент по направлению вперед по прямой линии. Применение силы или кручение инструмента приведут к перегреву двигателя и опасному отскоку, результатом чего может стать серьезная травма.
- Никогда не помещайте какие-либо части вашего тела на уровень ниже основания инструмента при получении разрезов, особенно в начале работы. Если вы нарушите это требование. То это приведет к получению серьезных травм. Режущий диск располагается по основанию инструмента.

Крепко держите инструмент. Инструмент снабжен передней и задней ручками. Используйте обе ручки для удержания инструмента. Во избежание травм держите пилу обеими руками. Поставьте переднюю часть основания на предназначенную для резания деталь, не касаясь ее диском. Затем нажмите на кнопку разблокировки, включите инструмент и дождитесь, когда диск пилы наберет полные обороты. Теперь медленно нажмите на головку пилы для достижения нужной глубины резания и просто ведите инструмент вперед по поверхности детали, держа ее плоско и плавно, пока резание не завершится.

Для чистого распиливания перемещайте инструмент вперед строго по прямой линии и с постоянной скоростью. Если при распиливании произошло отклонение от намеченной линии, не пытайтесь принудительно вернуть инструмент на линию распиливания. Невыполнение этого требования может стать причиной заклинивания дисковой пилы и возникновения опасной отдачи, которая может привести к травме. Выровняйте инструмент по новой линии пропила и начните распиливание снова. Заново совместите инструмент с новой линией пропила и начните распиливание снова. Старайтесь избегать положений, при которых отбрасываемые пилой опилки и пыль попадают на оператора. Во избежание получения

травм используйте защитные очки.

► Рис.23

При использовании с направляющей стола (дополнительное приспособление)

► Рис.24: 1. Регулировочные винты

Поместите инструмент на задний конец направляющей стола. Поверните два регулировочных винта на основании инструмента таким образом, чтобы инструмент скользил плавно без дребезга. Крепко держите инструмент. Инструмент имеет переднюю и заднюю ручки. Используйте обе ручки для удержания инструмента. Включите инструмент, придавите инструмент на нужную глубину пиления и проведите пиление вдоль всей длины предохранителя скалывания за один проход. Край предохранителя скалывания отвечает краю резания.

При резании под углом с направляющей стола, ведите по ней рычаг скольжения на основании инструмента таким образом, чтобы инструмент не выпадал на свою сторону.

► Рис.25: 1. Рычаг скольжения

Перемещайте рычаг скольжения на основании инструмента в направлении стрелки таким образом, чтобы он все время находился в сцеплении с вырезанной канавкой на направляющей стола.

Направляющая планка (направляющая линейка) (дополнительная принадлежность)

► Рис.26: 1. Направляющая планка (направляющая линейка)

Удобная направляющая планка помогает вам делать исключительно точные прямые пропилы. Просто пододвиньте направляющую планку удобным вам образом к боковой поверхности детали и закрепите ее в этом положении при помощи винтов, расположенных на передней и задней частях основания. Она позволяет также осуществлять повторное отпиливание деталей одинаковой ширины. Переворачивание направляющей планки (направляющей стола) также используется в качестве подосновы инструмента.

Врезное пропиливание (отпиливание)

► Рис.27: 1. Задний край основания инструмента
2. Фиксирующий упор

⚠ ОСТОРОЖНО:

- Во избежание обратной отдачи следите за соблюдением следующих инструкций.

При использовании инструмента без направляющей стола

Помещайте инструмент на обрабатываемую деталь так, чтобы задний конец основания инструмента оказывался напротив фиксированного упора или иной подобной оснастки, продуманной и приспособленной оператором.

При использовании инструмента с направляющей стола

Помещайте инструмент на обрабатываемую деталь так, чтобы задний конец основания инструмента оказывался напротив фиксированного упора или иной подобной оснастки, зажатой на направляющей стола.

Держите инструмент крепко одной рукой за переднюю ручку и другой рукой за ручку инструмента. Затем нажмите на кнопку разблокировки, включите инструмент и дождитесь, когда диск пилы наберет полные обороты. Теперь спокойно нажмите головку пилы вниз до выставленной глубины и просто перемещайте инструмент вперед до желаемого положения разреза.

ПРИМЕЧАНИЕ:

- Маркировка на боковой стороне ограждения диска показывает переднюю и заднюю точки резания пильного диска (А для диаметра 160 мм и В для диаметра 165 мм) при максимальной глубине резки и с использованием направляющего рельса.

► Рис.28

Направляющее устройство (дополнительные приспособления)

Использование измерителя угла резки (дополнительное приспособление) позволяет получить точные разрезы под углом и для точной подгонки. Использование зажима (дополнительное приспособление) обеспечивает надежное закрепление обрабатываемой детали на столе.

ТЕХОБСЛУЖИВАНИЕ

⚠ ВНИМАНИЕ:

- Перед проверкой или проведением техобслуживания убедитесь, что инструмент выключен, а штекер отсоединен от розетки.
- **Очистите кожух, чтобы удалить скопившиеся опилки, так как они могут ухудшить работу защитной системы.** Загрязнение защитной системы может помешать ее работе и привести к тяжелым травмам. Самый эффективный способ очистки – это очистка с использованием сжатого воздуха. **При удалении пыли из кожуха с помощью сжатого воздуха обязательно используйте надлежащие средства защиты органов зрения и дыхания.**
- Запрещается использовать бензин, лигроин, растворитель, спирт и т.п. Это может привести к изменению цвета, деформации и появлению трещин.

Регулировка точности распилов под углом в 90° и 45° (вертикальный распил и распил под углом в 45°)

Данная регулировка уже выполнена на предприятии-изготовителе. Но если наблюдается отклонение, отрегулируйте регулировочные винты с помощью шестигранного ключа, проверяя положение диска под углом в 90° или 45° с помощью треугольной или квадратной линейки и т.д.

► **Рис.29:** 1. Регулировочный винт для 90°

► **Рис.30:** 1. Регулировочный винт для 45°

ПРИМЕЧАНИЕ:

- Регулировка для достижения точности 22,5°, 48° и -1° выполнена быть не может.

Замена угольных щеток

► **Рис.31:** 1. Ограничительная метка

Регулярно вынимайте и проверяйте угольные щетки. Заменяйте их, если они изношены до ограничительной отметки. Содержите угольные щетки в чистоте и в свободном для скольжения в держателях положении. При замене необходимо менять обе угольные щетки одновременно. Используйте только одинаковые угольные щетки.

► **Рис.32:** 1. Отвертка 2. Колпачок держателя щетки

Используйте отвертку для снятия крышек щеткодержателей. Извлеките изношенные угольные щетки, вставьте новые и закрутите крышки щеткодержателей.

Для обеспечения БЕЗОПАСНОСТИ и НАДЕЖНОСТИ оборудования, ремонт, любое другое техобслуживание или регулировку необходимо производить в уполномоченных сервис-центрах Makita, с использованием только сменных частей производства Makita.

ДОПОЛНИТЕЛЬНЫЕ ПРИНАДЛЕЖНОСТИ

⚠ ВНИМАНИЕ:

- Эти принадлежности или насадки рекомендуются использовать вместе с вашим инструментом Makita, описанным в данном руководстве. Использование каких-либо других принадлежностей или насадок может представлять опасность получения травм. Используйте принадлежность или насадку только по указанному назначению.

Если вам необходимо содействие в получении дополнительной информации по этим принадлежностям, свяжитесь со своим местным сервис-центром Makita.

- Пильные диски
- Направляющая стола
- Направляющая планка (направляющая линейка)
- Измеритель угла резки
- Зажим
- Шестигранный ключ
- Лист установлен у направляющей стола
- Резиновый лист установлен у направляющей стола
- Позиционирующий лист установлен у направляющей стола

ПРИМЕЧАНИЕ:

- Некоторые элементы списка могут входить в комплект инструмента в качестве стандартных приспособлений. Они могут отличаться в зависимости от страны.

Makita Europe N.V.

Jan-Baptist Vinkstraat 2, 3070 Kortenberg, Belgium

Makita Corporation

3-11-8, Sumiyoshi-cho, Anjo, Aichi 446-8502 Japan

www.makita.com



884683Q987 EN, SV, NO, FI, DA, LV, LT, ET, RU 20240925
